

SR264X2



Product Family
Built-in type
Dimensions
Power supply
Type
EAN code

Hob
Traditional
60 cm
Gas
Gas
8017709267155



Aesthetics



Aesthetic

Colour

Finishing

Material

Type of steel

Pan stands

Burners

Burners Material

Type of control setting

Control knob position

No. of controls

Controls colour

Serigraphy colour

Selezione

Stainless steel

Satin

Stainless Steel

Brushed

Enamelled flat

Smeg Contemporary

Alluminium

Control knobs

Front

4

Silver

Black

Programme / Functions

Total no. of cook zones

4

No. of gas cook zones

4

Options



Worktop Cut-Out

478-482x555-560 mm

Technical Features

UR

Left - Gas - UR - 3.90 kW

Rear-centre - Gas - Semi Rapid - 1.70 kW

Front-centre - Gas - AUX - 1.10 kW

Right - Gas - Rapid - 2.60 kW

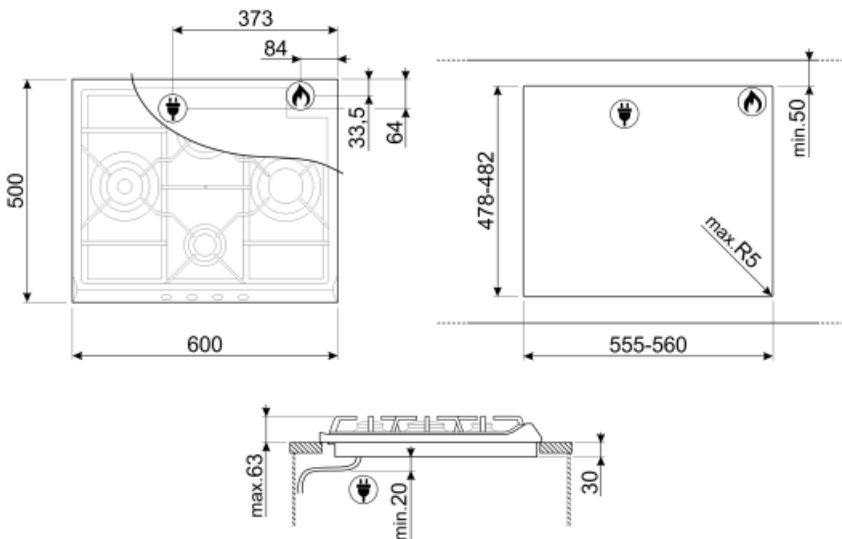
Gas safety valves Yes **Automatic Ignition** Yes

Electrical Connection

Plug	Not present	Type of electric cable installed	Yes, Single phase
Electrical connection rating (W)	1 W	Frequency (Hz)	50/60 Hz
Voltage (V)	220-240 V	Power supply cable length	120 cm

Gas Connection

Gas Type	G20 Natural gas	Other gas connections provided	Conical
Gas connection	Cilindrical	Gas connection rating (W)	9300 W
Other gas nozzles included	G30 GPL Liquid gas		



Symbols glossary (TT)



Standard installation: Traditional installation in tabletop, suitable for any kitchen sets



CUT_OUT_STANDARD_72dpi



Ultra rapid burners: Powerful ultra rapid burners offer up to 5kw of power.



Knobs control