

# SR264XGH2



Product Family  
 Built-in type  
 Dimensions  
 Power supply  
 Type  
 EAN code

Hob  
 Traditional  
 60 cm  
 Gas  
 Gas  
 8017709268367



## Aesthetics



Aesthetic  
 Colour  
 Acabamento  
 Material  
 Type of steel  
 Frame  
 Pan stands  
 Pan Stand Coating  
 Burners  
 Burners Material  
 Burner Coating  
 Type of control setting  
 Control knob position  
 No. of controls  
 Controls colour  
 Illuminated control knobs  
 Control knob protection  
  
 Serigraphy colour  
 Alternative colours available

Selezione  
 Stainless steel  
 Satin  
 Stainless Steel  
 Brushed  
 No  
 Cast iron  
 No  
 Smeg Contemporary  
 Alluminium  
 No  
 Control knobs  
 Front  
 4  
 Silver  
 No  
 No  
  
 Black  
 No

## Program / Functions

No. of gas cook zones 4  
 Total no. of cook zones 4

## Options



Corte padrão

478-482x555-560 mm

## Technical Features



Left - Gas - UR - 3.90 kW

Rear-centre - Gas - Semi Rapid - 1.70 kW

Front-centre - Gas - AUX - 1.10 kW

Right - Gas - Rapid - 2.60 kW

Gas safety valves	Yes	Automatic Ignition	Yes
-------------------	-----	--------------------	-----

## Accessories Included

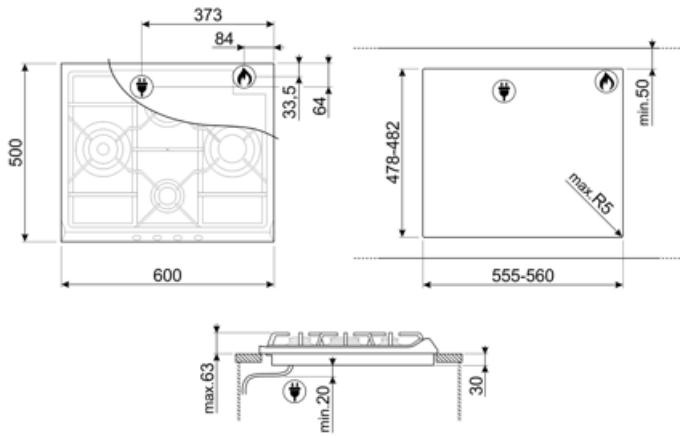
Other accessories	No
-------------------	----

## Electrical Connection

Plug	No	Frequency (Hz)	50/60 Hz
Electrical connection rating (W)	1 W	Comprimento do cabo de alimentação	120 cm
Voltage (V)	220-240 V	Ficha elétrica	No
Type of electric cable	Single phase		

## Gas Connection



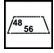


Gas Type	G20 Natural gas	Other gas connections provided	Conical
Ligação ao gás	Ligação ao gás cilíndrica	Gas connection rating (W)	9300 W
Other gas nozzles included	G30 GPL Liquid gas		



---

## Symbols glossary

---

- |  |  |   |   |
|--|--|---|---|
|  | Instalação padrão: Instalação tradicional em tampo de mesa, adequado para qualquer conjunto de cozinha |  | Suportes de ferro fundido para serviço pesado: para máxima estabilidade e resistência.      |
|  | CUT_OUT_STANDARD_72dpi   |  | Queimadores ultrarrápidos: Queimadores ultrarrápidos potentes oferecem até 5kw de potência. |
|  | Controle dos botões  |   |   |