

SR275XGH2



Product Family
Built-in
Dimensions
Power supply
Type
EAN code

Hob
Traditional
70/75 cm
Gas
Gas
8017709268350



Aesthetics



Aesthetics

Colour

Finishing

Material

Type of steel

Pan stands

Burners

Burner Material

Type of control setting

Control knobs position

No. of controls

Controls colour

Serigraphy colour

Cucina

Stainless steel

Brushed

Stainless Steel

Brushed

Cast iron

Smeg Contemporary

Aluminium

Control knobs

Front

5

Silver

Black

Program / Functions

No. of gas cook zones

5

Total no. of cook zones

5

Options



Standard cut out

478-482x555-560 mm

Technical Features

UR

Front left - Gas - AUX - 1.10 kW
 Rear left - Gas - Rapid - 2.60 kW
 Central - Gas - UR - 3.90 kW
 Rear right - Gas - Semi Rapid - 1.70 kW
 Front right - Gas - Semi Rapid - 1.70 kW

Gas safety valves Yes Automatic Ignition Yes

Accessories Included

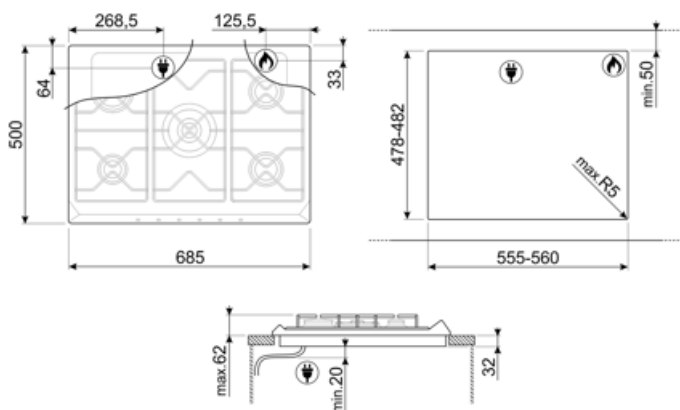
Pan reducer/Moka stand 1

Electrical Connection

| | | | |
|------------------------|--------------|---------------------------|----------|
| Nominal power (W) | 1 W | Frequency (Hz) | 50/60 Hz |
| Voltage (V) | 220-240 V | Power supply cable length | 120 cm |
| Type of electric cable | Single phase | | |

Gas Connection

| | | | |
|----------------------------|--------------------|--------------------------------|---------|
| Gas Type | G20 Natural gas | Other gas connections provided | Conical |
| Gas connection | Cilindrical | Gas connection rating (W) | 10900 W |
| Other gas nozzles included | G30 GPL Liquid gas | | |



Compatible Accessories

6MP700AO

Hob knobs set - Cortina Anthracite/Old brass



6MP700BS

Hob knobs set - Cortina Silver/Silver



6MPF2465X

Hob knobs set - Cucina



GRW

Wok support



6MP700AX

Hob knobs set - Cortina Anthracite/Silver



6MP700PO

Hob knobs set - Cortina Cream/Old brass



BB3679

Cast Iron griddle



TPK

Stainless steel grill plate to cook Teppanyaki dishes



Symbols glossary

- | | | | |
|--|--|---|---|
|  | Standard installation: Traditional installation in tabletop, suitable for any kitchen sets |  | Heavy duty cast iron pan stands: for maximum stability and strength. |
|  | CUT_OUT_STANDARD_72dpi |  | Ultra rapid burners: Powerful ultra rapid burners offer up to 5kw of power. |
|  | Knobs control | | |