

SR60GHU3



Product family	Cooktop
Installation	Standard
Dimensions	24"
Power supply	Mixed
Type	Gas
EAN code	8017709114459



Aesthetic



Aesthetics	Classic
Color	Stainless steel
Finishing	Satin
Material	Stainless steel
Stainless steel type	Brushed
Grates	Cast iron
Burners	Contemporary Smeg
Burners material	Aluminum
Control setting type	Control knobs
Controls position	Front
No. of controls	4
Controls color	Stainless steel effect
Logo	Silkscreened
Silkscreen color	Black

Program / Functions

Burners	4
Cooking zones	4

Technical Features



Right - Gas - Rapid - 8500 BTU - Double booster BTU
 Front-center - Gas - AUX - 3500 BTU - Double booster BTU

Rear-center - Gas - Semi-rapid - 5500 BTU - Double booster BTU

Left - Gas - URP - 13500 BTU - Double booster BTU

Double booster BTU

Double booster BTU

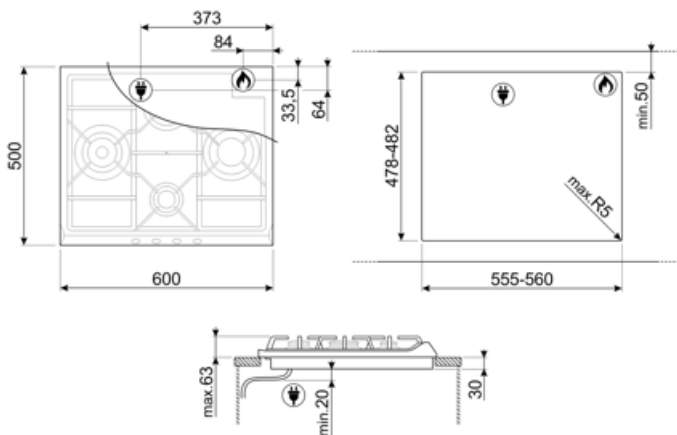
Gas safety valves Yes Automatic Ignition Yes

Electrical Connection

Nominal power	1 W	Frequency	60 Hz
Voltage	120 V	Power cord length	47 1/4 "
Electric cable type	Single phase		

Gas Connection

Gas Type	G20 Natural gas	Other gas nozzles included	G30 LPG liquid gas
Gas connection	Cylindric		



Compatible Accessories

6MP700AO

Hob knobs set - Cortina Anthracite/Old brass



6MP700PO

Hob knobs set - Cortina Cream/Old brass



6MPF2465X

Hob knobs set - Selezione

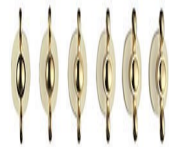


CC60X

Glass cover with stainless steel frame suitable for 60 cm hobs with frontal controls.

6MP700BS

Hob knobs set - Cortina Silver/Silver



6MP800P



CC60NE

Black cover suitable for 60 cm hobs with frontal controls.

Symbols glossary

- | | | | |
|--|--|---|---|
|  | Standard installation: Traditional installation in tabletop, suitable for any kitchen sets |  | Heavy duty cast iron pan stands: for maximum stability and strength. |
|  | CUT_OUT_STANDARD_72dpi |  | Ultra rapid burners: Powerful ultra rapid burners offer up to 5kw of power. |
|  | Knobs control | | |