

SR775PX



Product Family	Hob
Built-in	Traditional
Dimensions	70/75 cm
Power supply	Gas
Type	Gas
EAN code	8017709140861



Aesthetics



Aesthetics	Cortina
Colour	Cream
Material	Enamelled
Pan stands	Cast iron
Burners	Smeg Contemporary
Burner Material	Aluminium
Type of control setting	Control knobs
Control knobs position	Front
No. of controls	6
Controls colour	Cream
Components finishing	Silver
Serigraphy colour	Grey

Technical Features



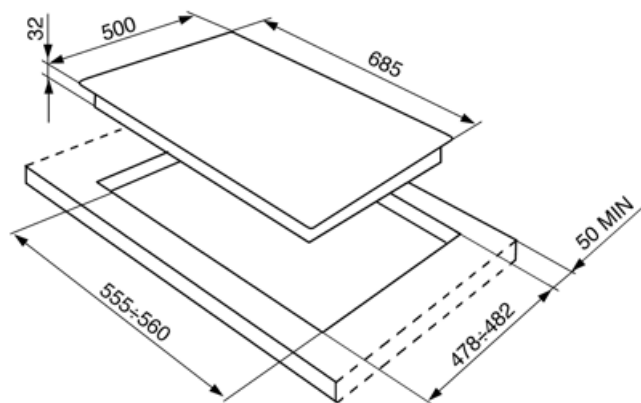
Front left - Gas - AUX - 1.10 kW		
Rear left - Gas - Rapid - 2.60 kW		
Central - Gas - 2UR (dual) - 5.00 kW		
Rear right - Gas - Semi Rapid - 1.70 kW		
Front right - Gas - Semi Rapid - 1.70 kW		
Gas safety valves	Yes	Automatic Ignition Yes

Electrical Connection





Nominal power (W)	1 W	Frequency (Hz)	50/60 Hz
Voltage (V)	220-240 V	Power supply cable length	120 cm

Gas Connection

Gas Type	G20 Natural gas	Other gas connections provided	Conical
Gas connection	Cilindrical	Gas connection rating (W)	11900 W
Other gas nozzles included	G30 GPL Liquid gas		



Symbols glossary

- | | | | |
|----------------------------------------------------------------------------------|--------------------------------------------------------------------------------------------|-----------------------------------------------------------------------------------|----------------------------------------------------------------------|
|  | Standard installation: Traditional installation in tabletop, suitable for any kitchen sets |  | Heavy duty cast iron pan stands: for maximum stability and strength. |
|  | Ultra rapid burners: Powerful ultra rapid burners offer up to 5kw of power. |  | Knobs control |