

## SR975NGH



Product Family	Hob
Built-in	Traditional
Dimensions	70/75 cm
Power supply	Gas
Type	Gas
EAN code	8017709200169



## Aesthetics



Aesthetics	Victoria
Colour	Black
Material	Enamelled
Pan stands	Cast iron
Type of control setting	Control knobs
Control knobs position	Front
No. of controls	6
Controls colour	Chrome
Logo	Silk screen
Serigraphy colour	Silver

## Program / Functions

No. of gas cook zones	5
Total no. of cook zones	5

## Options



Standard cut out	478-482x555-560 mm
------------------	--------------------

## Technical Features

**UR**

Front left - Gas - AUX - 1.10 kW  
 Rear left - Gas - Rapid - 2.60 kW  
 Central - Gas - 2UR (dual) - 5.00 kW  
 Rear right - Gas - Semi Rapid - 1.70 kW  
 Front right - Gas - Semi Rapid - 1.70 kW  
 Gas safety valves Yes

**Automatic Ignition** Yes

## Electrical Connection

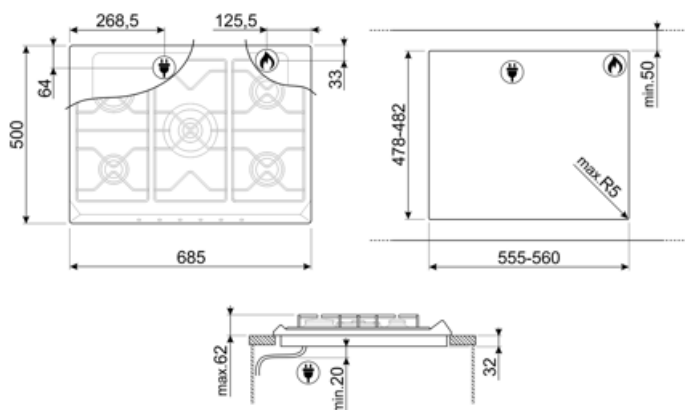
**Nominal power (W)** 1 W  
**Voltage (V)** 220-240 V  
**Frequency (Hz)** 50/60 Hz

**Power supply cable length** 120 cm  
**Plug** No

## Gas Connection

**Gas Type** G20 Natural gas  
**Gas connection** Cylindrical

**Other gas connections provided** Conical  
**Gas connection rating (W)** 11900 W



## Compatible Accessories

### 6MP700AO

Hob knobs set - Cortina Anthracite/Old brass



### 6MP700PO

Hob knobs set - Cortina Cream/Old brass



### GGB70-1

Cast Iron pan stands suitable for 70 cm hobs.



### 6MP700BS

Hob knobs set - Cortina Silver/Silver



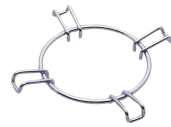
### 6MPF2465X

Hob knobs set - Cucina



### GRW

Wok support



---

## Alternative products

---



**SR975PGH**

**Colour: Cream**



**SR975XGH**

**Colour: Stainless steel**

---

## Symbols glossary

---

- |  |  |   |   |
|--|--|---|---|
|  | Standard installation: Traditional installation in tabletop, suitable for any kitchen sets |  | Heavy duty cast iron pan stands: for maximum stability and strength.        |
|  | CUT_OUT_STANDARD_72dpi   |  | Ultra rapid burners: Powerful ultra rapid burners offer up to 5kw of power. |
|  | Knobs control  |   |   |