

# SRV532GH3



Product Family	Hob
Built-in type	Traditional
Dimensions	30 cm
Power supply	Gas
Type	Gas
EAN code	8017709111229



## Aesthetics



Aesthetic	Contemporanea
Colour	Stainless steel
Finishing	Satin
Material	Stainless Steel
Type of steel	Brushed
Pan stands	Cast iron
Burners	Smeg Contemporary
Burners Material	Alluminium
Type of control setting	Control knobs
Control knob position	Front
No. of controls	2
Controls colour	Steel effect
Logo	Embossed

## Program / Functions

No. of gas cook zones	2
Total no. of cook zones	2

## Options

Worktop Cut-Out	478-482x252-256 mm
-----------------	--------------------

## Technical Features

Front-centre

Rear-centre - 3.30 kW

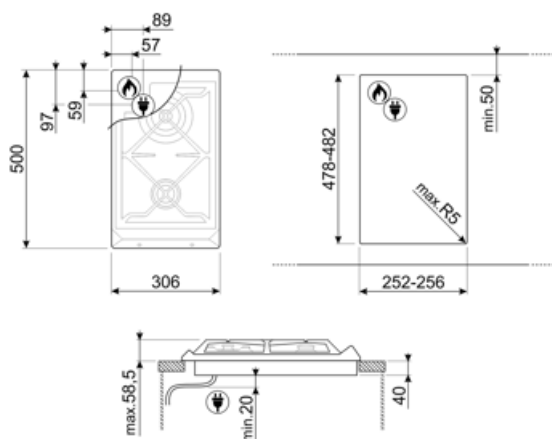
Gas safety valves                      Yes    Automatic Ignition                      Yes

## Electrical Connection

Power supply cable length                      120 cm    Plug    Not present

## Gas Connection

Gas Type	G20 Natural gas	Gas connection rating (W)	4400 W
Gas connection	Cilindrical	Gas connection distance, horizontal	57 mm
Other gas nozzles included	G30 GPL Liquid gas	Gas connection distance, vertical	59 mm
Other gas connections provided	Conical		



## Compatible Accessories

### 6MP700AO

Hob knobs set - Cortina Anthracite/Old brass



### 6MP700PO

Hob knobs set - Cortina Cream/Old brass



### 6MPF2465X

Hob knobs set - Selezione



### GRW

Wok support



### 6MP700BS

Hob knobs set - Cortina Silver/Silver



### 6MP800P



### C30CX/1





Glass cover with St. Steel frame suitable for 30 cm frontal control hobs.



---

## Symbols glossary

---

- |  |   |   |  |
|--|---|---|--|
|  | Standard installation: Traditional installation in tabletop, suitable for any kitchen sets. |  | Heavy duty cast iron pan stands: for maximum stability and strength. |
|  | Ultra rapid burners: Powerful ultra rapid burners offer up to 5kw of power.                 |  | Knobs control  |