

SRV575GH5



Product Family
Built-in type
Dimensions
Power supply
Type
EAN code

Hob
Traditional
70/75 cm
Gas
Gas
8017709114794



Aesthetics



Aesthetic
Colour
Finishing
Material
Type of steel
Pan stands
Type of control setting
Control knob position
No. of controls
Controls colour
Logo
Serigraphy colour

Contemporanea
Stainless steel
Satin
Stainless Steel
Brushed
Cast iron
Control knobs
Front
6
Silver
Silk screen
Grey

Program / Functions

No. of gas cook zones	5
Total no. of cook zones	5

Options



Worktop Cut-Out 478-482x555-560 mm

Technical Features

UR

Left - Gas - 2UR (dual) - 5.00 kW
 Rear-centre - Gas - AUX - 1.10 kW
 Front-centre - Gas - AUX - 1.10 kW
 Rear-right - Gas - Rapid - 2.60 kW
 Front-right - Gas - Semi Rapid - 1.70 kW
 Gas - Semi Rapid
 Gas safety valves Yes

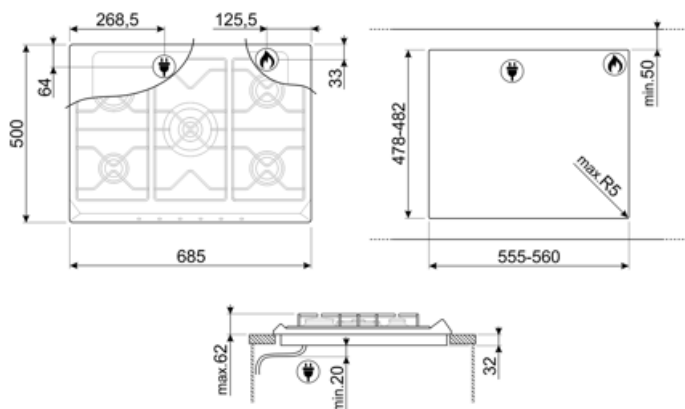
Automatic Ignition Yes

Electrical Connection

Power supply cable length 120 cm **Plug** Not present

Gas Connection

Gas Type G20 Natural gas
Gas connection Cilindrical
Other gas connections provided Conical
Gas connection rating (W) 10800 W



Compatible Accessories

6MP700AO

Hob knobs set - Cortina Anthracite/Old brass



6MP700PO

Hob knobs set - Cortina Cream/Old brass



6MPF2465X

Hob knobs set - Selezione



6MP700BS

Hob knobs set - Cortina Silver/Silver



6MP800P



GRW

Wok support



Symbols glossary

- | | | | |
|--|---|---|---|
|  | Standard installation: Traditional installation in tabletop, suitable for any kitchen sets. |  | Heavy duty cast iron pan stands: for maximum stability and strength. |
|  | CUT_OUT_STANDARD_72dpi |  | Ultra rapid burners: Powerful ultra rapid burners offer up to 5kw of power. |
|  | Knobs control | | |