

SRV596GH5



Product Family
Built-in type
Dimensions
Power supply
Type
EAN code

Hob
Traditional
90 cm
Gas
Gas
8017709110505



Aesthetics



Aesthetic
Colour
Finishing
Material
Type of steel
Pan stands
Type of control setting
Control knob position
No. of controls
Controls colour
Logo
Alternative colours available

Contemporanea
Stainless steel
Satin
Stainless Steel
Brushed
Cast iron
Control knobs
Front
6
Silver
Embossed
Beige, Terre de France

Program / Functions

No. of gas cook zones 5
Total no. of cook zones 5

Options

Worktop Cut-Out 478-482x839-844 mm

Technical Features

UR

Front-left - Gas - AUX - 1.10 kW

Rear-left - Gas - Rapid - 3.10 kW

Central - Gas - 2UR (dual) - 5.00 kW

Rear-right - Gas - Semi Rapid - 1.70 kW

Front-right - Gas - Semi Rapid - 1.70 kW

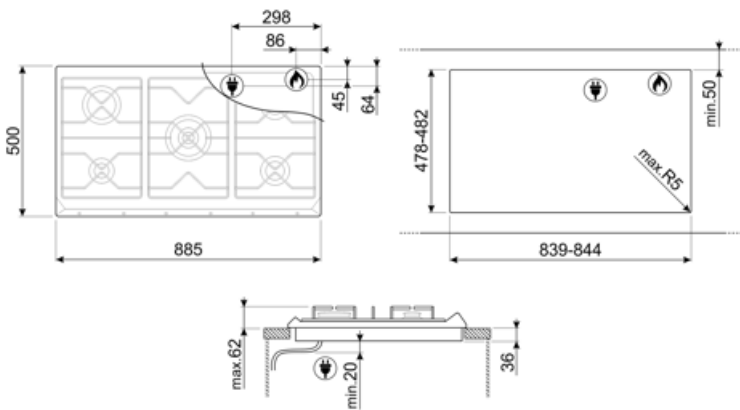
Gas safety valves Yes Automatic Ignition Yes

Electrical Connection

Power supply cable length 120 cm Plug Not present

Gas Connection

Gas Type	G20 Natural gas	Gas connection rating (W)	12400 W
Gas connection	Cilindrical	Gas connection distance, horizontal	86 mm
Other gas connections provided	Conical	Gas connection distance, vertical	45 mm



Compatible Accessories

6MP700AO

Hob knobs set - Cortina Anthracite/Old brass



6MP700PO

Hob knobs set - Cortina Cream/Old brass



6MPF2465X

Hob knobs set - Selezione



GRW

Wok support



6MP700BS

Hob knobs set - Cortina Silver/Silver



6MP800P







GGB90

Cast Iron pan stands suitable for 90 cm hobs.



Symbols glossary

- | | | | |
|--|---|---|---|
|  | Standard installation: Traditional installation in tabletop, suitable for any kitchen sets. |  | Heavy duty cast iron pan stands: for maximum stability and strength. |
|  | Knobs control |  | Ultra rapid burners: Powerful ultra rapid burners offer up to 5kw of power. |