

SRV896AOGH



| | |
|----------------|---------------|
| Product Family | Hob |
| Built-in type | Traditional |
| Dimensions | 90 cm |
| Power supply | Gas |
| Type | Gas |
| EAN code | 8017709233310 |



Aesthetics



| | |
|-------------------------|---------------|
| Aesthetic | Coloniale |
| Colour | Anthracite |
| Material | Enamelled |
| Pan stands | Cast iron |
| Type of control setting | Control knobs |
| Control knob position | Front |
| No. of controls | 6 |
| Controls colour | Antique brass |
| Logo | Silk screen |
| Serigraphy colour | Gold |

Program / Functions

| | |
|-------------------------|---|
| No. of gas cook zones | 5 |
| Total no. of cook zones | 5 |

Options

| | |
|-----------------|--------------------|
| Worktop Cut-Out | 478-482x839-844 mm |
|-----------------|--------------------|

Technical Features



Front-left - Gas - AUX - 1.10 kW

Rear-left - Gas - Rapid - 3.10 kW

Central - Gas - 2UR (dual) - 5.00 kW

Rear-right - Gas - Semi Rapid - 1.70 kW

Front-right - Gas - Semi Rapid - 1.70 kW

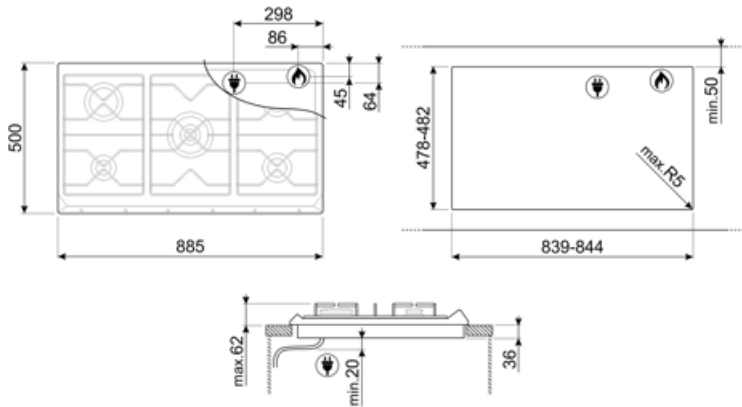
| | | | |
|-------------------|-----|--------------------|-----|
| Gas safety valves | Yes | Automatic ignition | Yes |
|-------------------|-----|--------------------|-----|

Electrical Connection

| | | | |
|----------------------------------|-------------------|---------------------------|-------------|
| Electrical connection rating (W) | 1 W | Frequency (Hz) | 50/60 Hz |
| Voltage (V) | 220-240 V | Power supply cable length | 120 cm |
| Type of electric cable installed | Yes, Single phase | Plug | Not present |

Gas Connection

| | | | |
|----------------|---------------------|--------------------------------|---------|
| Gas Type | G20/G25 natural gas | Other gas connections provided | Conical |
| Gas connection | Cylindrical | Gas connection rating (W) | 12400 W |



Compatible Accessories

6MP700AO

Hob knobs set - Cortina Anthracite/Old brass



6MP700PO

Hob knobs set - Cortina Cream/Old brass



6MPF2465X

Hob knobs set - Selezione



GRW

Wok support



6MP700BS

Hob knobs set - Cortina Silver/Silver



6MP800P



GGB90

Cast Iron pan stands suitable for 90 cm hobs.



Alternative products

SRV896POGH

Colour: Cream







SRV896AVOGH2

Colour: Oats



Symbols glossary

- | | | | |
|--|---|---|--|
|  | Standard installation: Traditional installation in tabletop, suitable for any kitchen sets. |  | Heavy duty cast iron pan stands: for maximum stability and strength. |
|  | Ultra rapid burners: Powerful ultra rapid burners offer up to 5kw of power. |  | Knobs control |