

SRV896AVOGH2



Product Family	Hob
Built-in type	Traditional
Dimensions	90 cm
Power supply	Gas
Type	Gas
EAN code	8017709263652



Aesthetics



Aesthetic	Coloniale
Colour	Oats
Material	Enamelled
Pan stands	Cast iron
Type of control setting	Control knobs
Control knob position	Front
No. of controls	6
Controls colour	Antique brass
Logo	Silk screen
Serigraphy colour	Brown

Program / Functions

No. of gas cook zones	5
Total no. of cook zones	5

Options

Worktop Cut-Out	478-482x839-844 mm
-----------------	--------------------

Technical Features



Front-left - Gas - AUX - 1.10 kW

Rear-left - Gas - Rapid - 3.10 kW

Central - Gas - 2UR (dual) - 5.00 kW

Rear-right - Gas - Semi Rapid - 1.70 kW

Front-right - Gas - Semi Rapid - 1.70 kW

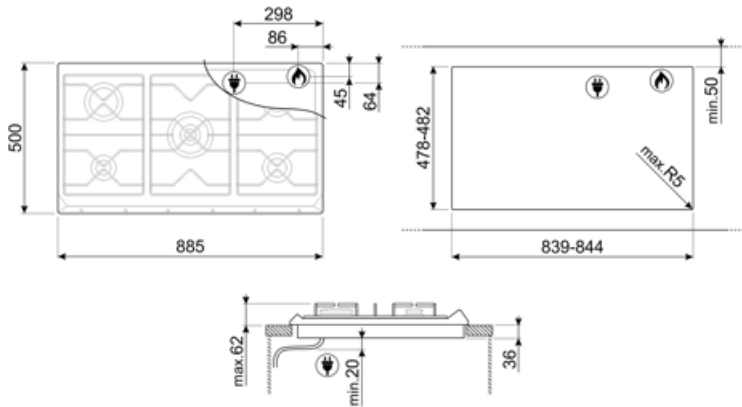
Gas safety valves	Yes	Automatic ignition	Yes
-------------------	-----	--------------------	-----

Electrical Connection

Electrical connection rating (W)	1 W	Frequency (Hz)	50/60 Hz
Voltage (V)	220-240 V	Power supply cable length	120 cm
Type of electric cable installed	Yes, Single phase	Plug	Not present

Gas Connection

Gas Type	G20/G25 natural gas	Other gas connections provided	Conical
Gas connection	Cilindrical	Gas connection rating (W)	12400 W



Compatible Accessories

6MP700AO

Hob knobs set - Cortina Anthracite/Old brass



6MP700PO

Hob knobs set - Cortina Cream/Old brass



6MPF2465X

Hob knobs set - Selezione



GRW

Wok support



6MP700BS

Hob knobs set - Cortina Silver/Silver



6MP800P



GGB90

Cast Iron pan stands suitable for 90 cm hobs.



Alternative products

SRV896AOGH

Colour: Anthracite







SRV896POGH

Colour: Cream



Symbols glossary

- | | | | |
|--|---|---|---|
|  | Standard installation: Traditional installation in tabletop, suitable for any kitchen sets. |  | Heavy duty cast iron pan stands: for maximum stability and strength. |
|  | Knobs control |  | Ultra rapid burners: Powerful ultra rapid burners offer up to 5kw of power. |