

SRV896POGH



Product Family	Hob
Built-in type	Traditional
Dimensions	90 cm
Power supply	Gas
Type	Gas
EAN code	8017709233334



Aesthetics



Aesthetic	Coloniale
Colour	Cream
Material	Enamelled
Pan stands	Cast iron
Type of control setting	Control knobs
Control knob position	Front
No. of controls	6
Controls colour	Antique brass
Serigraphy colour	Gold
Alternative colours available	Anthracite, Beige

Programs / Functions

No. of gas cook zones	5
Total no. of cook zones	5

Options

Worktop Cut-Out	478-482x839-844 mm
-----------------	--------------------

Technical Features



Front-left - Gas - AUX - 1.10 kW

Rear-left - Gas - Rapid - 3.10 kW
 Central - Gas - 2UR (dual) - 5.00 kW
 Rear-right - Gas - Semi Rapid - 1.70 kW
 Front-right - Gas - Semi Rapid - 1.70 kW
 Gas safety valves Yes

Automatic Ignition Yes

Electrical Connection

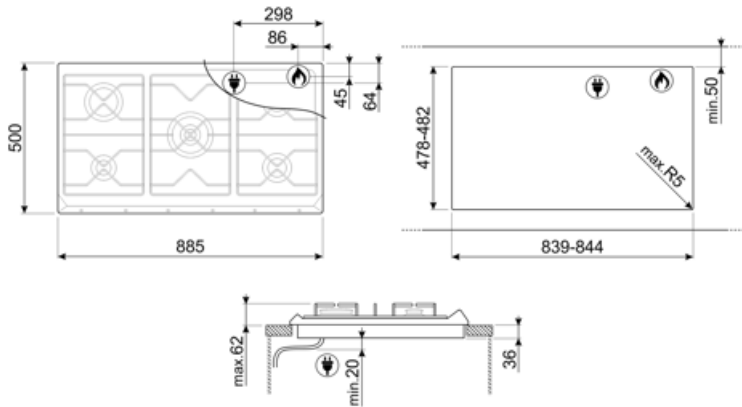
Plug Not present
 Electrical connection rating (W) 1 W
 Voltage (V) 220-240 V

Type of electric cable installed Yes, Single phase
 Frequency (Hz) 50/60 Hz
 Power supply cable length 120 cm

Gas Connection

Gas Type G20/G25 natural gas
 Gas connection Cylindrical

Other gas connections provided Conical
 Gas connection rating (W) 12400 W



Compatible Accessories

6MP700AO

Hob knobs set - Cortina Anthracite/Old brass



6MP700BS

Hob knobs set - Cortina Silver/Silver



6MP800P



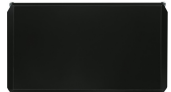
BB3679

Cast Iron griddle



C90CNE-2

Black cover suitable for 90 cm gas hobs with frontal controls.



GGB90

Cast Iron pan stands suitable for 90 cm hobs.



TPK

Stainless steel grill plate to cook Teppanyaki dishes



6MP700AX

Hob knobs set - Cortina Anthracite/Silver



6MP700PO

Hob knobs set - Cortina Cream/Old brass



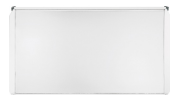
6MPF2465X

Hob knobs set - Selezione



C90CEB/1

White cover suitable for 90 cm gas hobs with frontal controls.



C90CX/1

Glass cover with stainless steel frame suitable for 90 cm hobs with frontal control.



GRW

Wok support



Symbols glossary



Standard installation: Traditional installation in tabletop, suitable for any kitchen sets



Heavy duty cast iron pan stands: for maximum stability and strength.



Knobs control



Ultra rapid burners: Powerful ultra rapid burners offer up to 5kw of power.