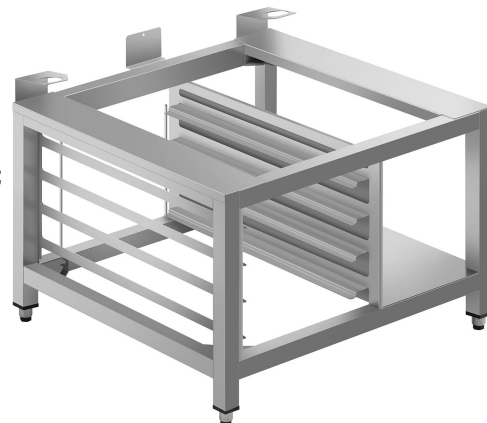


STDM

Family	Oven accessories
Subfamily	Stands
Width	800 mm
Product depth	750 mm
Product height	500 mm
Suitable for	Combined oven 4 trays 600x400 mm; Combined ovens 5 GN1/1
Compliant oven models	Galileo professional oven
Pieces per pack	1

Galileo Professional oven support with 4-shelf tray holder



Electrical Connection

Plug	No
------	----

Construction

Material	Stainless steel
----------	-----------------