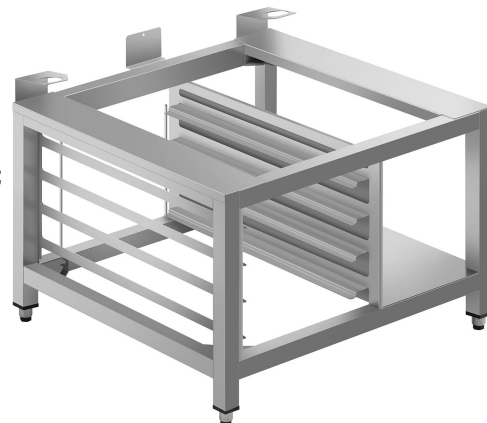


STDM

Family	Oven accessories
Subfamily	Stands
Width	800 mm
Depth	750 mm
Height	500 mm
Suitable for	Combined oven 4 trays 600x400 mm; Combined oven 5 GN1/1
Compliant oven models	Galileo professional oven
Pieces per pack	1

4-level tray holder stand with 80 mm pitch, for Galileo Professional oven, for GN 1/1 and EN 600x400 mm tray, dim. (WxPxH) 800x750x500 mm



Electrical Connection

Plug	Not present
-------------	-------------

Construction

Material	Stainless steel
-----------------	-----------------