

SWT262TDAUS

Family	Dishwasher
Subfamily	Dishwasher with thermal disinfection
Type	Fresh Water System Dishwasher
Crockery	Crockery; Glasses; Cutlery
Wash pump	Standard
Power connection	400 V 3N~ / 12 A / 7 kW / 50 Hz
Product dimensions WxDxH	600x600x850 mm



Distribution

Industries	Care facilities
-------------------	-----------------

Aesthetics

Led color	Orange
------------------	--------

Technical Features

Wash pump flow	400 L / min	Detergent load	1,5 l/h
Min. water connection temperature	8°C	Rinse load	0,4 l/h
Minimum water consumption per cycle	10 l	Depth with open door	1200 mm
Max. inlet temperature	60°C	Max dish height lower basket	290 mm
Max water hardness	40°f - 22°dH	Max dish diameter upper basket	240 mm

Programs

Programs	7 automatic programs
Program table	Thermodisinfection dishwasher
Preferred program setting	Yes
Repeat Function	Yes
Regeneration and complete drain cycle	Yes
Rinse temperature (max)	93 °C
Maximum wash cycle duration with thermal disinfection	34 min

Grade of lethality of thermal disinfection (AI)	AI = 6.000 (93° C / 5') - AI = 12.000 (93° C / 10')
Maximum wash cycle duration	8 min
Maximum place settings capacity	12
Maximum place settings capacity/hour	90

Electrical Connection

Tank heating element power	6400 W	Electrical connection option	230 V 3~ / 19 A / 7 kW / 50 Hz; 220 V~ / 12 A / 2,8 kW / 50 Hz; 230 V~ / 16 A / 3,5 kW / 50 Hz
Wash pump power	400 W	Plug	No
Default connection	7000 W		

Interface

Display	4 digit	Detergent missing alert	Yes
On/Off button	Yes	Cycle progress alert	Yes
Salt alert	Yes	End-cycle alert	Yes
Rinse aid missing alert	Yes	Manual diagnostic	Yes

Construction

Tank	Deep drawn	Rack guides	Embossed
Tank material	Stainless steel AISI 304	Filter	3-stages filter system
Back panel	Galvanized	Condensatore	Yes
Upper washing system	One washing and one single rinse spray arms, stainless steel	Rumorosità	Lpa 51,7 dBA
Lower washing system	One washing and one single rinse spray arms, stainless steel	Automatic opening door	Yes
Balanced door	Yes	Adjustable feet	Yes
Tank filter	Stainless steel	Drain max. height	1000 mm
Door gasket	On 3 sides		

Accessories Included

Water supply pipe	In acciaio Watermark	Drain pipe	Yes - 2m
--------------------------	----------------------	-------------------	----------

Equipments



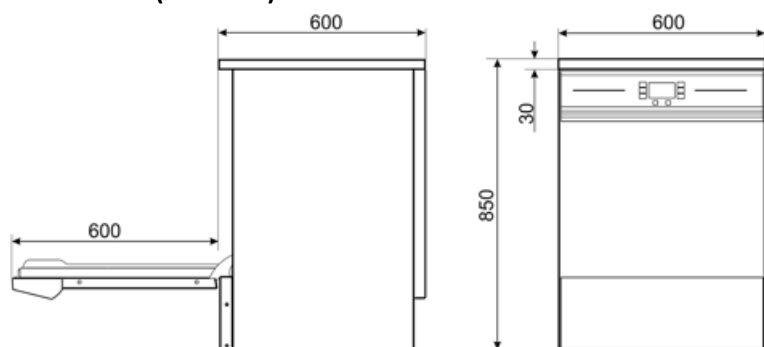
Drain pump	Yes	Cycle counter	Yes
Peristaltic detergent dispenser	Yes, electronic control	Break tank	Yes
Peristaltic rinse-aid dispenser	Yes, electronic control	Door lock	Yes
		Detergent (red) hose length	2,2 m

Automatic incorporated softener Yes
 Wash pump soft start system Yes

Rinse aid (blue) hose length 2,2 m

Logistic Information

EAN code	8017709286422	Net weight	76,000 kg
Packed product dimensions (WxDxH)	1050x660x790 mm	Gross weight (kg)	84,000 kg



Compatible Accessories

AS4060

Underframe for Fresh water system dishwashers



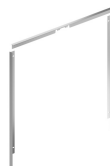
B6040L

Underframe for Fresh water system dishwashers



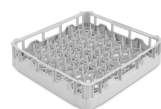
KSLR260

Probe level kit



KSP

Kit steam protector for SWT



PB50D01

Basket made of polypylene for 18 plates 500x500



PHOOS02

Basket in polypropylene for cutlery with 6 compartments



STNBIN

Closing plint for SWT models



T6040

Underframe for Fresh water system dishwashers



TOP60I

Upper cover for models SWT when removing built-in panel

Symbols glossary



Child lock: some models are fitted with a device to lock the programme/cycle so it cannot be accidentally changed.

Benefit (TT)

Door lock

Maximum safety during the thermodisinfection cycle

The door lock system prevents opening during the thermodisinfection cycle, ensuring the process runs smoothly and safely, avoiding any accidental interruptions that could compromise the effectiveness of the treatment and preventing the risk of contamination.

Repeat cycle

The Repeat function reduces consumption by reusing the water from the final rinse

The Repeat function allows the clean water from the final rinse to be reused for the next wash cycle. This feature not only reduces water consumption but also enhances process efficiency, shortening wash times without compromising hygiene or cleaning quality.

Integrated softener

Effective water treatment for consistently sparkling glasses

The integrated continuous regeneration water softener ensures effective water treatment, enhancing washing performance and preserving the machine's operational lifespan. The resin regeneration process takes place during the wash cycle without interruptions, providing constant control over water hardness. This system prevents limescale buildup, maximises detergent efficiency, and guarantees spotless results on glassware and dishes.

Soft-start system

Effective management of the washing pump to protect your glassware

The Soft-Start function initiates the wash cycle gently and gradually, progressively increasing the water pressure. This system has been designed to provide optimal protection for the most fragile items, such as crystal glasses, significantly reducing the risk of chipping or damage. At the same time, it ensures excellent cleaning performance, combining efficiency and safety in every wash cycle.

SWT

Designed to ensure the highest standards of hygiene and cleanliness

These appliances are designed to ensure high standards of hygiene and cleanliness. The thermodisinfection programmes with a 93°C rinse achieve A0 levels of up to 12000, which cannot be reached by traditional professional dishwashers. The design of the surfaces, with rounded corners in the tank and moulded basket guides, prevents dirt accumulation and makes cleaning the machine easier. Additionally, the moulded base directs any residue towards the filter.

Moulded tank

Superior washing performance and enhanced cleaning convenience with molded tub bottoms and basket guides

The tank, featuring rounded corners and integrated basket guides, is designed to prevent dirt build-up and make cleaning the machine quick and easy. The moulded base also helps direct any residue towards the filter, ensuring high levels of hygiene and consistently thorough cleaning.