

# SWT264

<b>Family</b>	Professional dishwasher
<b>Subfamily</b>	Dishwasher with thermal disinfection
<b>Type</b>	Washer-disinfectors
<b>Crockery</b>	Crockery; Glasses; Cutlery
<b>Wash pump</b>	Standard
<b>Power connection</b>	400 V 3N~ / 12 A / 7 kW / 50 Hz
<b>Product dimensions (WxDxH)</b>	600x600x850 mm



## Target

<b>Industries</b>	Care facilities
-------------------	-----------------

## Aesthetics

<b>Led color</b>	Orange
------------------	--------

## Technical Features

<b>Wash pump flow</b>	400 L / min	<b>Detergent load</b>	1,5 l/h
<b>Min. water connection temperature</b>	5°C	<b>Rinse load</b>	0,4 l/h
<b>Minimum water consumption per cycle</b>	10 l	<b>Depth with open door</b>	1200 mm
<b>Max. inlet temperature</b>	60°C	<b>Max dish height lower basket</b>	290 mm
<b>Max water hardness</b>	40°f - 22°dH	<b>Max dish diameter upper basket</b>	240 mm
<b>Inlet pressure</b>	100 - 600 kPa (min-max)		

## Programs

<b>Programs</b>	7 automatic programs
<b>Program table</b>	Thermodisinfection dishwasher
<b>Preferred program setting</b>	Yes
<b>Repeat Function</b>	Yes
<b>Regeneration and complete drain cycle</b>	Yes
<b>Maximum load of dishes per cycle</b>	70
<b>Rinse temperature (max)</b>	93 °C

Maximum wash cycle duration with thermal disinfection	34 min
Grade of lethality of thermal disinfection (AI)	AI = 6.000 (93° C / 5') - AI = 12.000 (93° C / 10')
Maximum wash cycle duration	8 min
Maximum place settings capacity	12
Maximum place settings capacity/hour	90

## Electrical Connection

Tank heating element power	6400 W	Optional electrical connection	230 V 3~ / 19 A / 7 kW / 50 Hz; 220 V~ / 12 A / 2,8 kW / 50 Hz; 230 V~ / 16 A / 3,5 kW / 50 Hz
Wash pump power	400 W	Plug	Not present
Default connection	6800 W		

## Interface

Display	4 digit	Detergent missing alert	Yes
On/Off button	Yes	Cycle progress alert	Yes
Salt alert	Yes	End-cycle alert	Yes
Rinse aid missing alert	Yes	Manual diagnostic	Yes

## Construction

Tank	Deep drawn	Rack guides	Embossed
Tank material	Stainless steel AISI 304	Filter	3-stage filter system
Back panel	Galvanized	Condensatore	Yes
Upper wash system	One wash and one single rinse spray arms, stainless steel	Noise	LpA<70 dB(A)
Lower wash system	One wash and one single rinse spray arms, stainless steel	Automatic opening door	Yes
Balanced door	Yes	Adjustable feet	Yes
Tank filter	Stainless steel	Drain max. height	1000 mm
Door gasket	On 3 sides		

## Accessories included

Water supply hose	Yes - 2 m	Drain hose	Yes - 2m
-------------------	-----------	------------	----------

## Equipments



Drain pump	Yes	Break tank	Yes
Detergent and rinse dispenser on the door	Yes	Door lock	Yes
Automatic built softener	Yes		

Wash pump soft start system Yes  
Cycle counter Yes

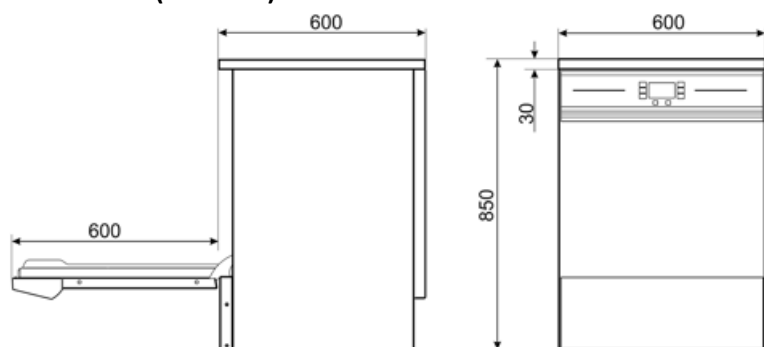
Detergent (red) hose length 2,2 m

Rinse aid (blue) hose length 2,2 m

## Logistic Information

EAN code 8017709281328  
Packed product dimensions (WxDxH) 1050x660x790 mm

Net weight 74,000 kg  
Gross weight 86,000 kg



## Compatible Accessories

**AS4060**

Kit Aquastop

**KSL260**

Probe level kit for detergent and rinse aid H320mm



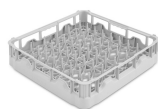
**KSP**

Stainless steel kit steam protector



**PB50D01**

Polypropylene basket for 18 plates  
Ø250 mm max, dim.(WxDxH)  
500x500x105 mm



**STNBIN**

Stainless steel front closing plinth



**TOP60I**

Copper cover kit when removing built-in panel



**B6040L**

Stainless steel closed underframe with push opening, dim. (WxDxH)  
600x530x430 mm



**KSLR260**

Adaptor for PB50D01 and PB50G02 basket



**LB16SWT**

Stainless steel basket for 16 bottles



**PHOOS02**

6 compartment polypropylene basket for cutlery



**T6040**

Stainless steel frame stand, dim.  
600x530x400 mm



## Symbols glossary

---



Child lock: some models are fitted with a device to lock the programme/cycle so it cannot be accidentally changed.

---

## Benefit (TT)

---

### Door lock

Maximum safety during the thermodisinfection cycle

The door lock system prevents opening during the thermodisinfection cycle, ensuring the process runs smoothly and safely, avoiding any accidental interruptions that could compromise the effectiveness of the treatment and preventing the risk of contamination.

### Repeat cycle

The Repeat function reduces consumption by reusing the water from the final rinse

The Repeat function allows the clean water from the final rinse to be reused for the next wash cycle. This feature not only reduces water consumption but also enhances process efficiency, shortening wash times without compromising hygiene or cleaning quality.

### Integrated softener

Effective water treatment for consistently sparkling glasses

The integrated continuous regeneration water softener ensures effective water treatment, enhancing washing performance and preserving the machine's operational lifespan. The resin regeneration process takes place during the wash cycle without interruptions, providing constant control over water hardness. This system prevents limescale buildup, maximises detergent efficiency, and guarantees spotless results on glassware and dishes.

### Soft-start system

Effective management of the washing pump to protect your glassware

The Soft-Start function initiates the wash cycle gently and gradually, progressively increasing the water pressure. This system has been designed to provide optimal protection for the most fragile items, such as crystal glasses, significantly reducing the risk of chipping or damage. At the same time, it ensures excellent cleaning performance, combining efficiency and safety in every wash cycle.

### Chemical dispenser on the door

Optimised space and simplified maintenance

The detergent and rinse aid dispenser positioned on the door optimises the internal space of the machine, reducing clutter and keeping the work area tidy. Additionally, it provides easy access for refills and maintenance without the need to open the main body of the machine.

### SWT

Designed to ensure the highest standards of hygiene and cleanliness

These appliances are designed to ensure high standards of hygiene and cleanliness. The thermodisinfection programmes with a 93°C rinse achieve A0 levels of up to 12000, which cannot be reached by traditional professional dishwashers.

### **Moulded tank**

Superior washing performance and enhanced cleaning convenience with molded tub bottoms and basket guides

The tank, featuring rounded corners and integrated basket guides, is designed to prevent dirt build-up and make cleaning the machine quick and easy. The moulded base also helps direct any residue towards the filter, ensuring high levels of hygiene and consistently thorough cleaning.