

# U8C082DE



<b>Product Family</b>	Refrigerator
<b>Installation</b>	Built-in
<b>Category</b>	Under counter
<b>Built-in niche</b>	82 - 87
<b>Reference width</b>	Until 60 cm
<b>Reference height</b>	Until 100 cm
<b>Cooling type</b>	Static
<b>Defrost</b>	Manual
<b>Hinge type</b>	Door on door
<b>Hinge position</b>	Right
<b>Reversible door</b>	Yes
<b>EAN code</b>	8017709337148



## Aesthetics

<b>Aesthetic</b>	Universale	<b>Logo</b>	Silk screen
<b>Colour</b>	White	<b>Door shelves profile color</b>	Silver
<b>Design</b>	Flat	<b>Drawers profile color</b>	Silver
<b>Material</b>	Metal sheet	<b>Color of glass shelf profile</b>	Chrome
<b>Side material</b>	Steel	<b>Display position</b>	Interno (cella frigo)
<b>Side colour</b>	White		

## Refrigerator compartment features



<b>No. of adjustable shelves</b>	2	<b>Type of crisper/vegetable drawers cover</b>	Plastic
<b>Number of fruit and vegetables drawers</b>	1	<b>No. of lights refrigerator compartment</b>	1
<b>Shelves material</b>	Glass	<b>Internal light in fridge</b>	Yes
<b>Type of crisper/vegetable drawers cover</b>	Standard	<b>Type of internal light (fridge)</b>	LED
<b>Crisper Cover</b>	Yes		

## Refrigerator Inner Door

<b>No. of door shelves with transparent cover</b>	1	<b>No. of bottle shelves</b>	1
<b>Adjustable door shelves with wire support</b>	Yes	<b>Bottle shelves with wire support</b>	Yes

## Other Refrigerator features

Accessories Kit listeria, Egg tray


## Freezer compartment features

Internal freezer compartment Yes

## Other technical features

Functions display	Super function, Temperature regulation
Type of temperature control	Electronic
No. of compressors	1
Refrigerant gas type	R600a
Refrigerant Quantity (g)	32 g
Max weight door panel (fridge)	32 kg
Foam agent	Cyclopentane

## Performance / Energy Label - Reg. 2019

			
Annual energy consumption	148 kWh/a	Airborne acoustical noise emissions	38 dB(A) re 1 pW
Energy efficiency class	E	Temperature Rise Time	8.20 h
Airborne acoustical noise emission class	C	4 star - Freezing capacity	1.5 kg/24h
Total net volume	110 l	Climate class	SN, N, ST, T
Sum of the volumes of the frozen compartment(s)	16 l	EEl	100 %
Sum of the volumes of the chill compartment(s) and the unfrozen compartment(s)	94 l		

## Electrical Connection

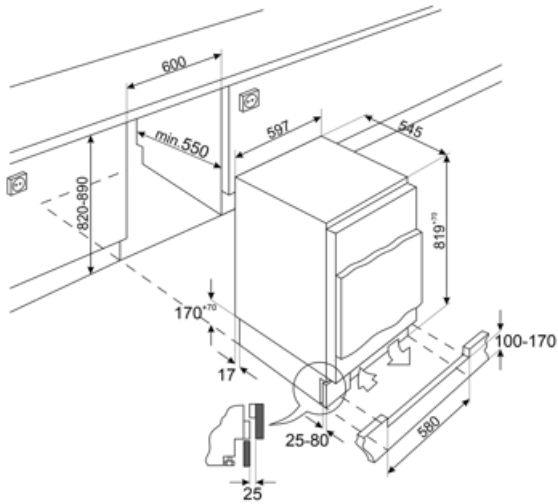
Electrical connection rating	110 W	Frequency (Hz)	50 Hz
Current	0.9 A	Power supply cable length	240 cm
Voltage (V)	230-240 V	Plug	(F;E) Schuko

## Logistic Information

Width	596 mm	Height	819 mm
-------	--------	--------	--------

Width of the built-in niche 600 mm  
Depth without handle 547 mm  
Depth of the built-in niche 550 mm

Height of the built-in niche 820 mm  
Product width with maximum doors opening 777 mm



---

## Symbols glossary

---

-  Energy efficiency class E
-  LED interior lighting: is a more energy efficient and long lasting way of illuminating the interior of the appliance.
-  Built-in niche