

U8C082DE



Product Family	Refrigerator
Installation	Built-in
Category	Under counter
Built-in niche	82 - 87
Reference width	Until 60
Reference height	Until 100
Cooling type	Static
Defrost	Manual
Hinge type	Door on door
Hinge position	Right
Reversible door	Yes
EAN code	8017709337148



Aesthetics

Aesthetic	Universal	Logotipo	Logotipo serigrafado
Colour	White	Cor do perfil das prateleiras da porta	Silver
Design	Flat	Cor do perfil das gavetas	Silver
Material	Metal sheet	Cor do perfil da prateleira de vidro	Chrome
Handle kit to be ordered separately	No	Mostrar porções	Interno (cela frigo)
Side material	Steel	Dispenser	No
Side colour	White	HomeBar	No

Refrigerator compartment features



No. of adjustable shelves	2	Type of crisper/vegetable drawers cover	Plastic
Number of fruit and vegetables drawers	1	N° de lâmpadas	1
Type of adjustable shelves	Glass	Life Plus zone-0°C	No
Type of crisper/vegetable drawers cover	Standard	Compartimento baixa temperatura	No
Crisper Cover	Yes	Internal light in fridge	Yes
Bottle shelf	No	Type of internal light (fridge)	LED

Refrigerator Inner Door

No. of door shelves with transparent cover	1	No. of bottle shelves	1
Adjustable door shelves with wire support	Yes	Bottle shelves with wire support	Yes

Other Refrigerator features

Accessories	Kit listeria, Egg tray	MultiFlow	No
Natural Plus Blu Light	No	Fan	No


Freezer compartment features

Internal freezer compartment	Yes	Internal light in freezer	No
-------------------------------------	-----	----------------------------------	----

Other technical features

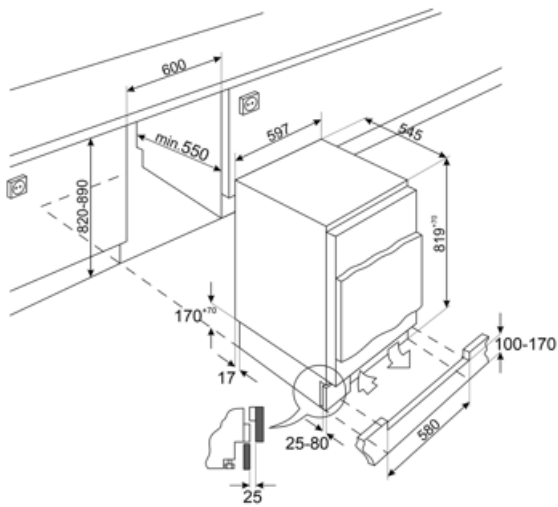
Functions display	Super function, Temperature regulation
Power on lamp	No
Temperature alarm lamp	No
Door open alarm	No
Temperature Alarm	No
Type of temperature control	Electronic
No. of compressors	1
Refrigerant gas type	R600a
Refrigerant Quantity (gr)	32 g
Max weight door panel (fridge)	32 kg
Espuma expansiva de isolamento	Ciclopentano

Etiqueta de Desempenho / Energia - Reg. 2019

			
Consumo de energia anual	148 kWh/a	Airborne acoustical noise emissions	38 dB(A) re 1 pW
Classe de eficiência energética	E	Autonomia de conservação sem energia elétrica	8.20 h
Classe de emissão de ruído acústico aerotransportado	C	4 estrelas - Capacidade de congelamento	2.6 Kg/24h
Volume líquido total	110 l	Classe climática	SN, N, ST, T
Soma dos volumes do(s) compartimento(s) congelado(s)	16 l	EEl	100 %
Soma dos volumes do(s) compartimento(s) refrigerado(s) e do(s) compartimento(s) não congelado(s)	94 l		

Electrical Connection

Plug	(F;E) Schuko	Voltage (V)	230-240 V
Electrical connection rating	110 W	Frequency (Hz)	50 Hz
Current	0,9 A	Power supply cable length	240 cm



Symbols glossary



Iluminação interior LED: é uma forma mais eficiente em termos energéticos e duradoura de iluminar o interior do aparelho.



Nicho incorporado



Classe de eficiência energética E.

Benefit (TT)

Refrigerant gas R600a

Environmentally friendly R600a refrigerant gas contributes to rapid cooling with lower energy consumption

Self-supporting hinges

Self-supporting hinges ensure a perfect fit between the equipment door and the cabinet door, giving the product a minimalist and elegant appearance

Refrigerator Internal lighting

Interior lighting for perfect visibility of shelves in the refrigerator compartment

Fruit and vegetable drawer

The fruit and vegetable drawer ensures the best storage conditions for fresh food, avoiding any contamination

Internal display

Internal display for targeted temperature control and a clean, minimalist design