

U8F082DE1



| | |
|------------------|---------------|
| Product Family | Freezers |
| Installation | Built-in |
| Built-In Niche | 82-87 cm |
| Category | Under counter |
| Reference width | Until 60 cm |
| Reference height | Until 100 cm |
| Cooling type | Static |
| Hinge type | Door on door |
| Hinge position | Right |
| Reversible door | Yes |



Aesthetics

| | | | |
|-----------|------------|-----------------------|-------------|
| Aesthetic | Universale | Side material | Metal |
| Colour | White | Logo | Silk screen |
| Design | Flat | Drawers profile color | Silver |
| Material | Steel | | |

Freezer compartment features

| | |
|-------------------|---|
| Number of drawers | 3 |
|-------------------|---|

Other technical features

| | | | |
|---------------------------------|--------------------|---------------------------------|--------------|
| Freezer compartment accessories | Ice cube tray | Refrigerant gas type | R600a |
| Fast freezing button | Yes | Type of compressor | Standard |
| Power on lamp | Yes | Refrigerant Quantity (g) | 45 g |
| Temperature alarm lamp | Yes | Foam agent | Cyclopentane |
| Type of temperature control | Electro-mechanical | Max weight door panel (freezer) | 40 kg |
| No. of compressors | 1 | | |

Performance / Energy Label - Reg. 2019



| | | | |
|---------------------------|-----------|-----------------------|---------|
| Annual energy consumption | 176 kWh/a | Temperature Rise Time | 12,60 h |
|---------------------------|-----------|-----------------------|---------|

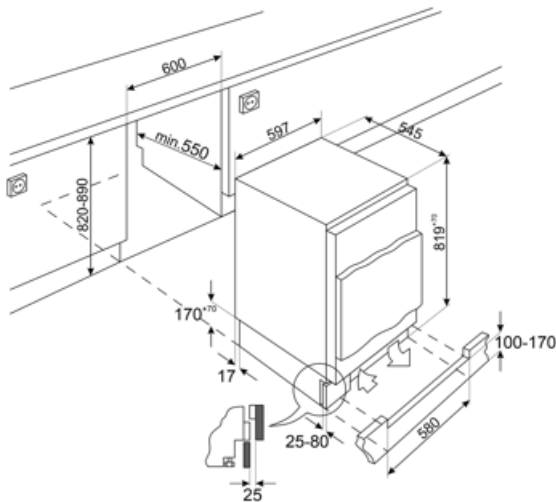
| | | | |
|--|------|-----------------------------------|--------------|
| Total net volume | 95 l | 4 star - Freezing capacity | 7,0 kg/24h |
| Energy efficiency class | E | Climate class | SN, N, ST, T |
| Airborne acoustical noise emission class | C | EEI | 100 % |
| Sum of the volumes of the frozen compartment(s) | 95 l | | |

Electrical Connection

| | | | |
|-------------------------------------|-----------|----------------------------------|--------------|
| Electrical connection rating | 120 W | Frequency (Hz) | 50 Hz |
| Current | 0,8 A | Power supply cable length | 240 cm |
| Voltage | 230-240 V | Plug | (F;E) Schuko |

Logistic Information

| | | | |
|------------------------------------|--------|---|--------|
| Width | 596 mm | Depth of the built-in niche | 550 mm |
| Width of the built-in niche | 600 mm | Height of the built-in niche | 820 mm |
| Depth without handle | 547 mm | Product width with maximum doors opening | 777 mm |
| Height, maximum value | 819 mm | | |



Symbols glossary



Built-in niche



Energy efficiency class E