

UKFS08EW



Product Family	Refrigerator
Installation	Free Standing
Category	Under counter
Reference width	Until 60 cm
Reference height	Until 100 cm
Cooling type	Static
Defrost	Automatic for refrigerator, manual for freezer
Hinge type	Standard
Door opening flush with the wall	Yes
Hinge position	Right
Reversible door	Yes
EAN code	8017709340940



Aesthetics

Aesthetics	Universal	Side material	Steel
Colour	White	Side colour	White
Material	Metal sheet	Logo	Applied
Handle	Integrated	Door shelves profile colour	White
Handle type	Fixed	Drawers profile colour	White
Logo colour	Black		

Refrigerator compartment features

Number of compartments	1	Shelves material	Glass
Compartment types	Fruit and vegetable compartment	Type of crisper/vegetable drawers cover	Standard
No. of adjustable shelves	1	Crisper Cover	Yes
Number of fruit and vegetables drawers	1	Type of crisper/vegetable drawers cover	Glass

Refrigerator Inner Door

No. of door shelves with transparent cover	1	No. of bottle shelves	1
---	---	------------------------------	---

Freezer compartment features

Internal freezer compartment Yes

Other technical features



Antibacterial Gasket	Yes
Type of temperature control	Electro-mechanical
No. of compressors	1
Refrigerant gas type	R600a
Type of compressor	Standard
Foam agent	Cyclopentane

Performance / Energy Label



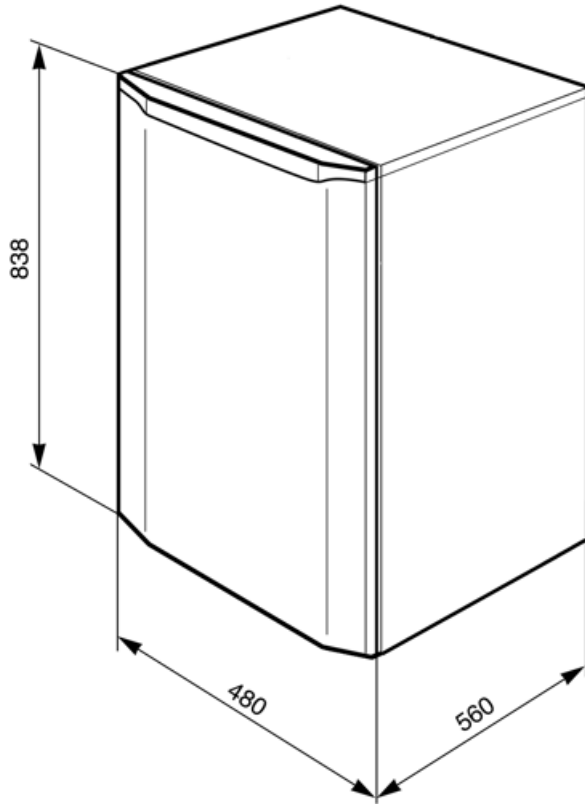
Annual energy consumption	132 kWh/year	Sum of the volumes of the chill compartment(s) and the unfrozen compartment(s)	74 l
Energy efficiency class	E	Noise level	41 dB(A) re 1 pW
Airborne acoustical noise emission class	C	Climatic class	N, ST, T
Total volume	82 l	EI	100 %
Sum of the volumes of the frozen compartment(s)	8 l		

Electrical Connection

Nominal power	125 W	Frequency (Hz)	50 Hz
Current	0,7 A	Power supply cable length	180 cm
Voltage (V)	220-240 V	Plug	(F;E) Schuko

Logistic Information

Width (mm)	480 mm	Product Height with feet	838 mm
Depth without handle	560 mm	Product width with maximum doors opening	580 mm



Symbols glossary



The automatic defrost system works by automatically defrosting at regular intervals eliminating the need to defrost altogether.



Antibacterial treatment: antibacterial treatment to ensure better hygiene



Energy efficiency class E