

UKU8C082DE



Product Family	Refrigerator
Installation	Built-in
Category	Under counter
Built-in niche	82 - 87
Reference width	Until 60 cm
Reference height	Until 100 cm
Cooling type	Static
Defrost	Manual
Hinge type	Door on door
Hinge position	Right
Reversible door	Yes
EAN code	8017709337018



Aesthetics



Aesthetics	Universal	Side material	Steel
Colour	White	Side colour	White
Design	Flat	Logo	Silk screen
Material	Metal sheet	Display	LED
Handle type	Fixed	Display position	Interior
Logo colour	Black		

Refrigerator compartment features



Number of compartments	1	Crisper Cover	Yes
Compartment types	Fruit and vegetable compartment	Type of crisper/vegetable drawers cover	Glass
No. of adjustable shelves	2	No. of lights	1
Number of fruit and vegetables drawers	1	Internal light in fridge	Yes
Shelves material	Glass	Type of internal light (fridge)	LED
Type of crisper/vegetable drawers cover	Standard		

Refrigerator Inner Door

No. of bottle shelves	1
-----------------------	---

No. of door shelves with transparent cover	1	Bottle shelves with wire support	Yes
Adjustable door shelves with wire support	Yes		

Other Refrigerator features

Accessories	Egg tray
-------------	----------


Freezer compartment features

Internal freezer compartment	Yes
------------------------------	-----

Other technical features

Type of temperature control	Electronic
No. of compressors	1
Refrigerant gas type	R600a
Refrigerant Quantity (g)	32 g
Max weight door panel (fridge)	31 kg
Foam agent	Cyclopentane

Performance / Energy Label

			
Annual energy consumption	148 kWh/year	Noise level	38 dB(A) re 1 pW
Energy efficiency class	E	Thaw time	8,20 h
Airborne acoustical noise emission class	C	4 star - Freezing capacity	3,1 kg/24h
Total volume	110 l	Climatic class	SN, N, ST, T
Sum of the volumes of the frozen compartment(s)	16 l	EEl	100 %
Sum of the volumes of the chill compartment(s) and the unfrozen compartment(s)	94 l		

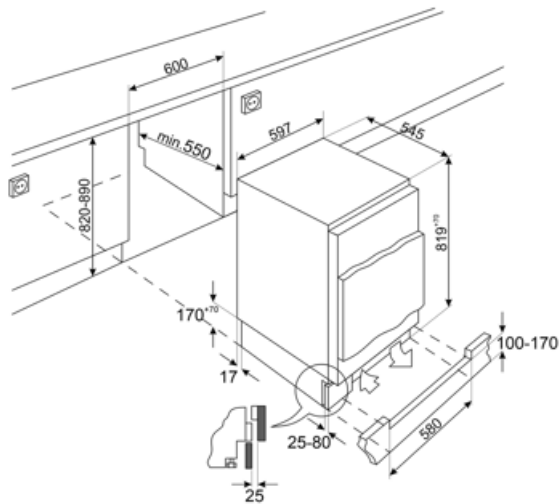
Electrical Connection

Nominal power	110 W	Frequency (Hz)	50 Hz
Current	0,9 A	Power supply cable length	240 cm
Voltage (V)	230-240 V	Plug	(G) UK e Singapore




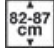
Logistic Information

Width (mm) 596 mm
Width of the built-in niche 600 mm
Depth without handle 547 mm
Depth of the built-in niche 550 mm

Product Height with feet 819 mm
Height of the built-in niche 820 mm
Product width with maximum doors opening 777 mm



Symbols glossary

	Energy efficiency class E		LED display: to show programmes, functions and options selected and the time to the end of the cycle.
	LED interior lighting: is a more energy efficient and long lasting way of illuminating the interior of the appliance.		Built-in niche