

UKU8C082DE



Product Family	Refrigerator
Installation	Built-in
Category	Under counter
Built-in niche	82 - 87
Reference width	Until 60
Reference height	Until 100
Cooling type	Static
Defrost	Manual
Hinge type	Door on door
Hinge position	Right
Reversible door	Yes
EAN code	8017709337018



Aesthetics



Aesthetics	Universal	Side material	Steel
Colour	White	Side colour	White
Design	Flat	Logo	Silk screen
Material	Metal sheet	Display	LED
Handle type	Fixed	Display position	Interior
Logo colour	Black		

Refrigerator compartment features



No. of adjustable shelves	2	Type of crisper/vegetable drawers cover	Glass
Number of fruit and vegetables drawers	1	No. of lights	1
Type of adjustable shelves	Glass	Internal light in fridge	Yes
Type of crisper/vegetable drawers cover	Standard	Type of internal light (fridge)	LED
Crisper Cover	Yes		

Refrigerator Inner Door

No. of door shelves with transparent cover	1	No. of bottle shelves	1
---	---	------------------------------	---

Adjustable door shelves with wire support Yes

Bottle shelves with wire support Yes

Other Refrigerator features

Accessories Egg tray


Freezer compartment features

Internal freezer compartment Yes

Other technical features

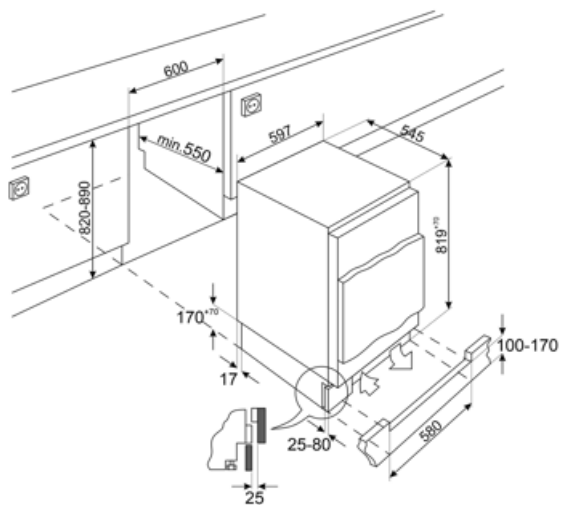
Type of temperature control	Electronic
No. of compressors	1
Refrigerant gas type	R600a
Refrigerant Quantity (gr)	32 g
Max weight door panel (fridge)	31 kg
Foam agent	Cyclopentane

Performance / Energy Label




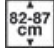
			
Annual energy consumption	148 KWh/year	Noise level	38 dB(A) re 1 pW
Energy efficiency class	E	Thaw time	8.20 h
Airborne acoustical noise emission class	C	4 star - Freezing capacity	3.1 Kg/24h
Total volume	110 l	Climatic class	SN, N, ST, T
Sum of the volumes of the frozen compartment(s)	16 l	EEI	100 %
Sum of the volumes of the chill compartment(s) and the unfrozen compartment(s)	94 l		

Electrical Connection

Plug	(G) UK e Singapore	Voltage (V)	230-240 V
Nominal power	110 W	Frequency (Hz)	50 Hz
Current	0.9 A	Power supply cable length	240 cm



Symbols glossary

	Energy efficiency class E		LED display: to show programmes, functions and options selected and the time to the end of the cycle.
	LED interior lighting: is a more energy efficient and long lasting way of illuminating the interior of the appliance.		Built-in niche

Benefit

Refrigerant gas R600a

Environmentally friendly R600a refrigerant gas contributes to rapid cooling with lower energy consumption

Self-supporting hinges

Self-supporting hinges ensure a perfect fit between the equipment door and the cabinet door, giving the product a minimalist and elegant appearance

Refrigerator Internal lighting

Interior lighting for perfect visibility of shelves in the refrigerator compartment

Fruit and vegetable drawer

The fruit and vegetable drawer ensures the best storage conditions for fresh food, avoiding any contamination

Internal display

Internal display for targeted temperature control and a clean, minimalist design