

UKU8C082DE



Product Family	Refrigerator
Installation	Built-in
Category	Under counter
Built-in niche	82 - 87
Reference width	Until 60 cm
Reference height	Until 100 cm
Cooling type	Static
Defrost	Manual
Hinge type	Door on door
Hinge position	Right
Reversible door	Yes
EAN code	8017709337018



Aesthetics



Aesthetic	Universale	Side material	Steel
Colour	White	Side colour	White
Design	Flat	Logo	Silk screen
Material	Metal sheet	Display	LED
Handle type	Fixed	Display position	Interno (cella frigo)
Logo colour	Black		

Refrigerator compartment features



Number of compartments	1	Crisper Cover	Yes
Compartment types	Fruit and vegetable compartment	Type of crisper/vegetable drawers cover	Glass
No. of adjustable shelves	2	No. of lights refrigerator compartment	1
Number of fruit and vegetables drawers	1	Internal light in fridge	Yes
Shelves material	Glass	Type of internal light (fridge)	LED
Type of crisper/vegetable drawers cover	Standard		

Refrigerator Inner Door

No. of bottle shelves	1
-----------------------	---

No. of door shelves with transparent cover	1	Bottle shelves with wire support	Yes
Adjustable door shelves with wire support	Yes		

Other Refrigerator features

Accessories	Egg tray
-------------	----------


Freezer compartment features

Internal freezer compartment	Yes
------------------------------	-----

Other technical features

Type of temperature control	Electronic
No. of compressors	1
Refrigerant gas type	R600a
Refrigerant Quantity (g)	32 g
Max weight door panel (fridge)	31 kg
Foam agent	Cyclopentane

Performance / Energy Label - Reg. 2019

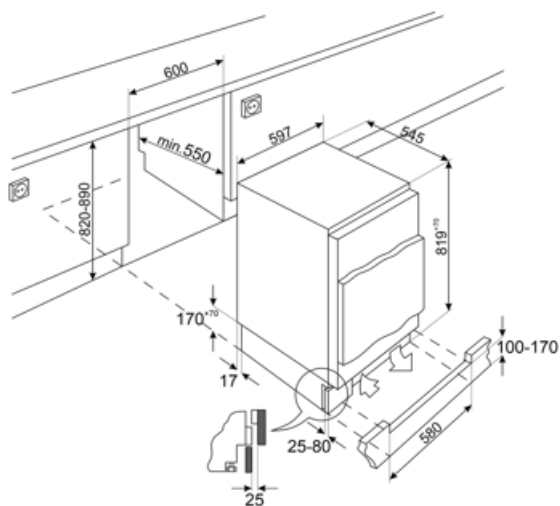
			
Annual energy consumption	148 kWh/a	Airborne acoustical noise emissions	38 dB(A) re 1 pW
Energy efficiency class	E	Temperature Rise Time	8,20 h
Airborne acoustical noise emission class	C	4 star - Freezing capacity	3,1 kg/24h
Total net volume	110 l	Climate class	SN, N, ST, T
Sum of the volumes of the frozen compartment(s)	16 l	EEl	100 %
Sum of the volumes of the chill compartment(s) and the unfrozen compartment(s)	94 l		

Electrical Connection





Electrical connection rating	110 W	Frequency (Hz)	50 Hz
Current	0,9 A	Power supply cable length	240 cm
Voltage (V)	230-240 V	Plug	(G) UK e Singapore

Logistic Information

Width	596 mm	Height	819 mm
Width of the built-in niche	600 mm	Height of the built-in niche	820 mm
Depth without handle	547 mm	Product width with maximum doors opening	777 mm
Depth of the built-in niche	550 mm		



Symbols glossary

	Energy efficiency class E		LED display: to show programmes, functions and options selected and the time to the end of the cycle.
	LED interior lighting: is a more energy efficient and long lasting way of illuminating the interior of the appliance.		Built-in niche