

# UKU8L080DE



Product Family	Refrigerator
Installation	Built-in
Category	Under counter
Built-in niche	82 - 87
Reference width	Until 60
Reference height	Until 100
Cooling type	Static
Hinge type	Door on door
Hinge position	Right
Reversible door	Yes
EAN code	8017709337032



## Aesthetics

Aesthetics	Universal	Side material	Steel
Colour	White	Side colour	White
Design	Flat	Logo	Silk screen
Material	Metal sheet	Door shelves profile colour	Silver
Handle type	Fixed	Drawers profile colour	Silver
Logo colour	Black	Colour of glass shelf profile	Chrome

## Refrigerator compartment features



No. of adjustable shelves	3	Type of crisper/vegetable drawers cover	Glass
Number of fruit and vegetables drawers	1	No. of lights	1
Type of adjustable shelves	Glass	Internal light in fridge	Yes
Type of crisper/vegetable drawers cover	Standard	Type of internal light (fridge)	LED
Crisper Cover	Yes		

## Refrigerator Inner Door

No. of door shelves with transparent cover	1	No. of bottle shelves	1
--	---	-----------------------	---

Adjustable door shelves with wire support Yes

Bottle shelves with wire support Yes


## Other Refrigerator features

Accessories Egg tray

## Other technical features

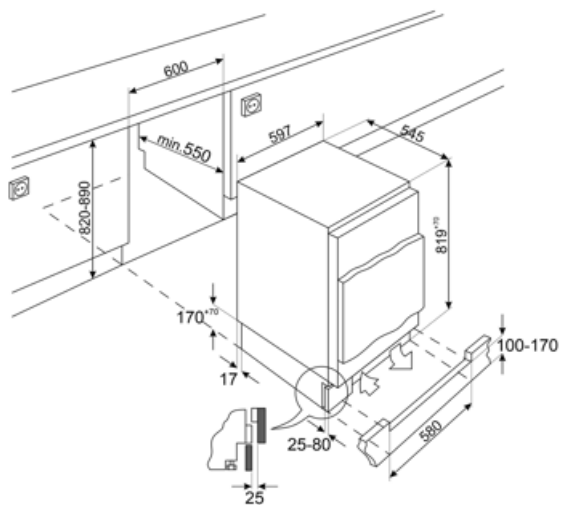
Type of temperature control	Electro-mechanical
No. of compressors	1
Refrigerant gas type	R600a
Refrigerant Quantity (gr)	18 g
Max weight door panel (fridge)	31 kg
Foam agent	Cyclopentane

## Performance / Energy Label

			
Annual energy consumption	92 kWh/year	Sum of the volumes of the chill compartment(s) and the unfrozen compartment(s)	134 l
Energy efficiency class	E	Noise level	38 dB(A) re 1 pW
Airborne acoustical noise emission class	C	Climatic class	SN, N, ST, T
Total volume	134 l	EEl	99 %

## Electrical Connection

Plug	(G) UK e Singapore	Voltage (V)	230-240 V
Nominal power	110 W	Frequency (Hz)	50 Hz
Current	0.8 A	Power supply cable length	240 cm



---

## Symbols glossary

---

-  Energy efficiency class E
-  LED interior lighting: is a more energy efficient and long lasting way of illuminating the interior of the appliance.
-  Built-in niche

---

## Benefit

---

### **Refrigerant gas R600a**

Environmentally friendly R600a refrigerant gas contributes to rapid cooling with lower energy consumption

### **Climate class**

Climatic class SN-T makes the appliance suitable for working at room temperature between 10 °C and 43 °C (50 °F ~ 109 °F)

### **Self-supporting hinges**

Self-supporting hinges ensure a perfect fit between the equipment door and the cabinet door, giving the product a minimalist and elegant appearance

### **Refrigerator Internal lighting**

Interior lighting for perfect visibility of shelves in the refrigerator compartment

### **Fruit and vegetable drawer**

The fruit and vegetable drawer ensures the best storage conditions for fresh food, avoiding any contamination