

# UM15

**Sink material** Stainless steel  
**Type** Monoblock bowl  
**No. of bowls** 1  
**EAN code** 8017709209162



## Aesthetics



**Aesthetic** Universale  
**Series** Alba  
**Colour** Stainless steel  
**Finishing** Brushed  
**Building in type** Undermount  
**Logo** Not present

	Bowl type	Bowl dimensions, WxDxH (mm)	Bowl depth (mm)	Radius corner bowl	Strainer position	Strainer dimension
Bowl	Half bowl	147 x 296 x 150	150	50	Centre of bowl	3.5"

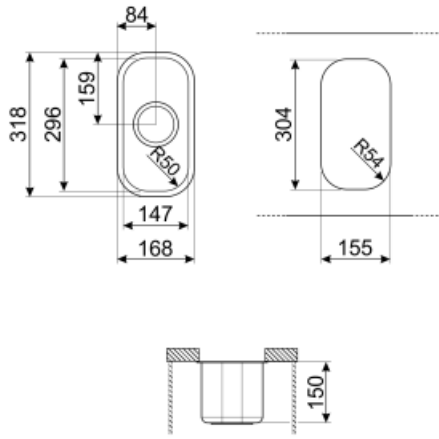
## Technical Features



**Dimensions of the product (mm)** 150x318x168 mm  
**Tap hole diameter** 35 mm  
**Cutout dimension undermount (mm)** 155x304 mm  
**No. of clips** 4  
**Type of clips** Undermount clip  
**Base unit size** 30 cm

## Accessories Included

**Accessories for installation** Strainer, Fixing clips



---

## Not included accessories

---



### **KITFD050**

Waste disposal 0,5 HP, Motor: 1/2 horsepower, Fits all sinks with 3 1/2" waste outlet



### **KITFD100**

Waste disposal 1 HP, Motor: 1/2 horsepower, Fits all sinks with 3 1/2" waste outlet



### **3712**

Siphon single bowl sinks (dishwasher connection included)



### **3713**

Siphon double bowls sinks (dishwasher connection included)






### **KITFD075**

Waste disposal 0,75 HP, Motor: 1/2 horsepower, Fits all sinks with 3 1/2" waste outlet

---

## Symbols glossary (TT)

---

- |  |   |   |   |
|--|---|---|---|
|  | Cupboard width required for sink installation   |  | Sink depth - depending on the model, the depth can be from 13 to 24,5 |
|  | Under table top installation: The sink is fixed under tabletop, which extends the work surface and the depth of the sink. |   |   |