

UM15

Materiaal	Inox
Type spoelbak	Enkel geperste spoelbak
Aantal spoelbakken	1
EAN-code	8017709209162



Design



Design	Universeel	Series	Alba
Kleur	Inox	Type inbouw	Onderbouw
Afwerking	Geborsteld inox	Logo	Niet aanwezig

	Type spoelbak	Afmetingen spoelbak, BxHxD (mm)	Diepte spoelbak (mm)	Hoekradius spoelbak	Positie crepine spoelbak	Afmeting crepine
Spoelbak	Spoelbakje	147 x 296 x 150	150	50	Centrale spoelbak	8,89 cm

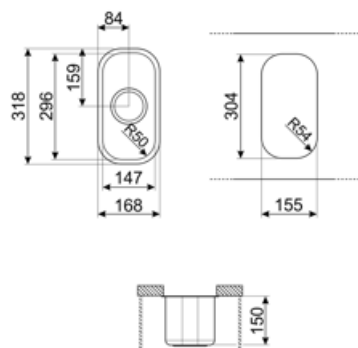
Technische specificaties



Afmetingen product (mm)	150x318x168 mm	Diameter kraangat	35 mm
Cutout dimension undermount (mm)	155x304 mm	Aantal haken	4
Afmeting inbouwmeubel	30 cm	Type haken	Onderbouw haken

Meegeleverde accessoires

Accessoires voor installatie inbegrepen	Crepine, Montagehaken
--	-----------------------



Compatible Accessories



3712

Siphon single bowl sinks (dishwasher connection included)



3713

Siphon double bowls sinks (dishwasher connection included)



KITFD050

Waste disposal 0,5 HP, Motor: 1/2 horsepower, Fits all sinks with 3 1/2" waste outlet



KITFD075




Waste disposal 0,75 HP, Motor: 1/2 horsepower, Fits all sinks with 3 1/2" waste outlet



KITFD100

Waste disposal 1 HP, Motor: 1/2 horsepower, Fits all sinks with 3 1/2" waste outlet

Symbols glossary

- | | | | |
|--|---|---|--|
|  | Cupboard width required for sink installation. |  | Sink depth - depending on the model, the depth can be from 13 to 24,5. |
|  | Under table top installation: The sink is fixed under tabletop, which extends the work surface and the depth of the sink. | | |

Benefit (TT)

One bowl

A single bowl for greater adaptability, capacity and space optimisation