

UM16

Sink material Stainless steel
Type Monoblock bowl
No. of bowls 1/2
EAN code 8017709064549



Aesthetics



Aesthetic	Universale	Building in type	Undermount
Colour	Stainless steel	Half bowl cup drainer	Yes
Finishing	Brushed	Tap hole / precut tap hole	No Taphole
Series	Alba		

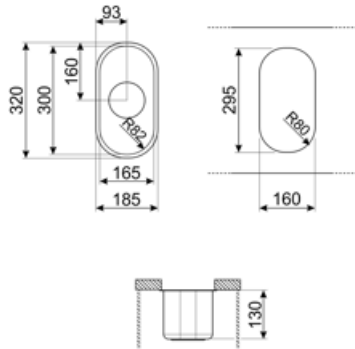
	Bowl type	Bowl dimensions, WxDxH (mm)	Bowl depth (mm)	Radius corner bowl	Strainer position	Strainer dimension
Bowl	Half bowl	165 x 300 x 130	130	80	Centre of bowl	3.5"

Technical Features



Dimensions of the product (mm)	130x320x185 mm	Tap hole diameter	35 mm
Cutout dimension undermount (mm)	160x295 mm	No. of clips	4
Undermount cutout radius	80 mm	Type of clips	Undermount clip
Base unit size	45 cm	Possibility to install waste disposal	Yes

Accessories included



Compatible Accessories



3712

Siphon single bowl sinks (dishwasher connection included)



3713

Siphon double bowls sinks (dishwasher connection included)



KITFD050

Waste disposal 0,5 HP, Motor: 1/2 horsepower, Fits all sinks with 3 1/2" waste outlet



KITFD075


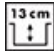

Waste disposal 0,75 HP, Motor: 1/2 horsepower, Fits all sinks with 3 1/2" waste outlet



KITFD100

Waste disposal 1 HP, Motor: 1/2 horsepower, Fits all sinks with 3 1/2" waste outlet

Symbols glossary

- | | | | |
|--|---|---|--|
|  | Cupboard width required for sink installation. |  | Sink depth - depending on the model, the depth can be from 13 to 24,5. |
|  | Under table top installation: The sink is fixed under tabletop, which extends the work surface and the depth of the sink. | | |

Benefit (TT)

Waste Kit

Possibility to install the waste disposal KITFD100 to easily dispose of organic waste, saving time and effort

The waste disposal is the ideal solution for a clean and sustainable kitchen: simple to use and compact, it disposes of food waste directly from the sink, reducing kitchen bad smells and improving hygiene.