

UM30

Sink material Stainless steel
Sink type Single-pressed bowl
No. of bowls 1
EAN code 8017709064556



Aesthetics



Aesthetics Universal
Colour Stainless steel
Finishing Brushed
Series Alba
Building in type Undermount
Logo Embossed

	Bowl type	Bowl dimensions, WxDxH (mm)	Bowl depth (mm)	Radius corner bowl	Overflow	Strainer position	Strainer dimension
Bowl	Traditional	300 x 400 x 180	180	75	Yes, traditional	Side bowl	3.5"

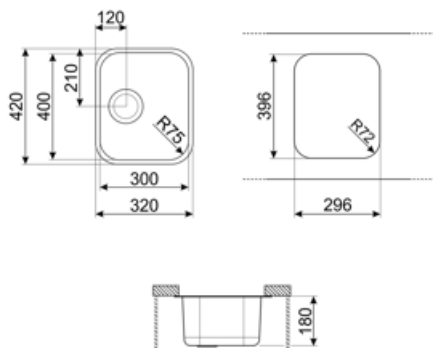
Technical Features



Dimensions of the product WxDxH (mm) 180x320x420 mm
Cutout dimension undermount (mm) 296x396 mm
Base unit size 45 cm
Tap hole diameter 35 mm
No. of clips 4
Type of clips Undermount clip
Possibility to install waste disposal Yes, single

Accessories Included

Accessories for installation Strainer, Fixing clips



Compatible Accessories



3712

Siphon single bowl sinks (dishwasher connection included)



3713

Siphon double bowls sinks (dishwasher connection included)



KITFD050

Waste disposal 0,5 HP Motor: 1/2 horsepower Fits all sinks with 3 1/2" waste outlet



KITFD075

Waste disposal 0,75 HP Motor: 3/4 horsepower Fits all sinks with 3 1/2" waste outlet



KITFD100

Waste disposal 1 HP Motor: 1 horsepower Fits all sinks with 3 1/2" waste outlet



RND1V

Rondò waste kit 1 bowl with standard overflow

Symbols glossary



Cupboard width required for sink installation



Sink depth - depending on the model, the depth can be from 13 to 24,5



Under table top installation: The sink is fixed under tabletop, which extends the work surface and the depth of the sink.

Benefit

One bowl

A single bowl for greater adaptability, capacity and space optimisation

Waste Kit

Possibility to install the waste disposal KITFD100 to easily dispose of organic waste, saving time and effort

The waste disposal is the ideal solution for a clean and sustainable kitchen: simple to use and compact, it disposes of food waste directly from the sink, reducing kitchen bad smells and improving hygiene