

# UM30

Sink material Stainless steel  
 Type Monoblock bowl  
 No. of bowls 1  
 EAN code 8017709064556



## Aesthetics



Aesthetic Universale  
 Colour Stainless steel  
 Finishing Brushed  
 Series Alba  
 Building in type Undermount  
 Logo Embossed

	Bowl type	Bowl dimensions, WxDxH (mm)	Bowl depth (mm)	Radius corner bowl	Overflow	Strainer position	Strainer dimension
Bowl	Traditional	300 x 400 x 180	180	75	Yes, traditional	Side bowl	3.5"

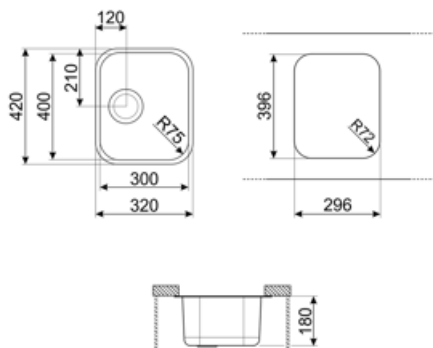
## Technical Features



Dimensions of the product (mm) 180x320x420 mm  
 Tap hole diameter 35 mm  
 Cutout dimension undermount (mm) 296x396 mm  
 No. of clips 4  
 Type of clips Undermount clip  
 Base unit size 45 cm

## Accessories included

Accessories for installation Strainer, Fixing clips



---

## Compatible Accessories

---



**3712**

Siphon single bowl sinks (dishwasher connection included)



**KITFD050**

Waste disposal 0,5 HP, Motor: 1/2 horsepower, Fits all sinks with 3 1/2" waste outlet



**KITFD100**

Waste disposal 1 HP, Motor: 1/2 horsepower, Fits all sinks with 3 1/2" waste outlet



**3713**

Siphon double bowls sinks (dishwasher connection included)



**KITFD075**

Waste disposal 0,75 HP, Motor: 1/2 horsepower, Fits all sinks with 3 1/2" waste outlet



**RND1V**

Rondò waste kit 1 bowl with standard overflow

---

## Symbols glossary

---



Cupboard width required for sink installation.



Sink depth - depending on the model, the depth can be from 13 to 24,5.



Under table top installation: The sink is fixed under tabletop, which extends the work surface and the depth of the sink.

---

## Benefit (TT)

---

### **One bowl**

A single bowl for greater adaptability, capacity and space optimisation