

# UM30

Materiaal	Inox
Type spoelbak	Enkel geperste spoelbak
Aantal spoelbakken	1
EAN-code	8017709064556



## Design



Design	Universeel	Series	Alba
Kleur	Inox	Type inbouw	Onderbouw
Afwerking	Geborsteld inox	Logo	In reliëf

	Type spoelbak	Afmetingen spoelbak, BxHxD (mm)	Diepte spoelbak (mm)	Hoekradius spoelbak	Overloop spoelbak	Positie crepine spoelbak	Afmeting crepine
Spoelbak	Traditioneel	300 x 400 x 180	180	75	Ja, traditioneel	Zijkant spoelbak	8,89 cm

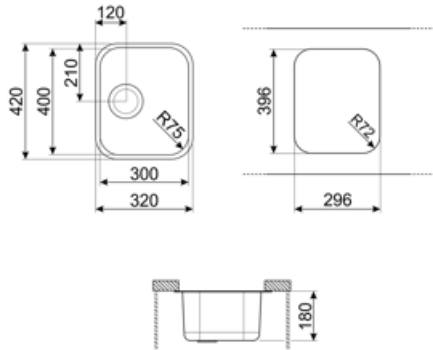
## Technische specificaties



Afmetingen product (mm)	180x320x420 mm	Aantal haken	4
Cutout dimension undermount (mm)	296x396 mm	Type haken	Onderbouw haken
Afmeting inbouwmeubel	45 cm	Possibility to install waste disposal	Ja
Diameter kraangat	35 mm		

## Meegeleverde accessoires

Accessoires voor installatie inbegrepen	Crepine, Montagehaken
---	-----------------------



---

## Compatible Accessories

---



**3712**

Siphon single bowl sinks (dishwasher connection included)



**KITFD050**

Waste disposal 0,5 HP, Motor: 1/2 horsepower, Fits all sinks with 3 1/2" waste outlet



**KITFD100**

Waste disposal 1 HP, Motor: 1/2 horsepower, Fits all sinks with 3 1/2" waste outlet



**3713**

Siphon double bowls sinks (dishwasher connection included)



**KITFD075**

Waste disposal 0,75 HP, Motor: 1/2 horsepower, Fits all sinks with 3 1/2" waste outlet



**RND1V**

Rondò waste kit 1 bowl with standard overflow

---

## Symbols glossary

---



Cupboard width required for sink installation.



Sink depth - depending on the model, the depth can be from 13 to 24,5.



Under table top installation: The sink is fixed under tabletop, which extends the work surface and the depth of the sink.

---

## Benefit (TT)

---

### **One bowl**

A single bowl for greater adaptability, capacity and space optimisation

### **Waste Kit**

Possibility to install the waste disposal KITFD100 to easily dispose of organic waste, saving time and effort

The waste disposal is the ideal solution for a clean and sustainable kitchen: simple to use and compact, it disposes of food waste directly from the sink, reducing kitchen bad smells and improving hygiene.