

# UM34

Sink material Stainless steel  
 Type Monoblock bowl  
 No. of bowls 1  
 EAN code 8017709064563



## Aesthetics



<b>Aesthetic Series</b>	Universale	<b>Building in type</b>	Undermount
<b>Colour</b>	Alba	<b>Logo</b>	Embossed
<b>Finishing</b>	Stainless steel	<b>Alternative colours available</b>	Stainless steel PVD Black, Stainless steel PVD Copper, Stainless steel PVD Brass
	Brushed	<b>Tap hole / precut tap hole</b>	No Taphole

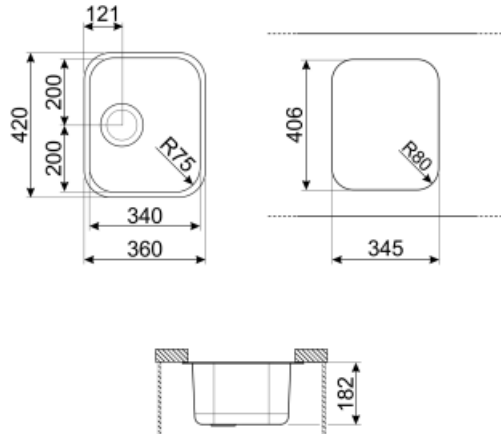
	Bowl type	Bowl dimensions, WxDxH (mm)	Bowl depth (mm)	Radius corner bowl	Overflow	Strainer position	Strainer dimension
Bowl	Minimum radius	340 x 400 x 180	180	72	Yes, traditional	Side bowl	3.5"

## Technical Features



<b>Dimensions of the product (mm)</b>	180x420x360 mm	<b>Tap hole diameter</b>	35 mm
<b>Cutout dimension undermount (mm)</b>	345.3*405.5 mm	<b>No. of clips</b>	4
<b>Base unit size</b>	45 cm	<b>Type of clips</b>	Undermount clip

## Accessories Included



---

## Not included accessories

---



### RND1V

Rondò waste kit 1 bowl with standard overflow



### KITFD050

Waste disposal 0,5 HP, Motor: 1/2 horsepower, Fits all sinks with 3 1/2" waste outlet



### DB34

St/steel drain basket to fit STD radius 340 x 400 bowl, 180 mm depth



### KITFD100

Waste disposal 1 HP, Motor: 1/2 horsepower, Fits all sinks with 3 1/2" waste outlet



### 3712

Siphon single bowl sinks (dishwasher connection included)



### 3713

Siphon double bowls sinks (dishwasher connection included)




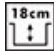

### KITFD075

Waste disposal 0,75 HP, Motor: 1/2 horsepower, Fits all sinks with 3 1/2" waste outlet

---

## Symbols glossary (TT)

---

- |  |   |   |   |
|--|---|---|---|
|  | Cupboard width required for sink installation   |  | Sink depth - depending on the model, the depth can be from 13 to 24,5 |
|  | Under table top installation: The sink is fixed under tabletop, which extends the work surface and the depth of the sink. |   |   |