

UM3416-1

Sink material Stainless steel
Sink type Side by side bowls
No. of bowls 1 + 1/2
EAN code 8017709081140



Aesthetics



Aesthetics Universal
Colour Stainless steel
Finishing Brushed
Series Alba
Building in type Undermount
Logo Embossed
Tap hole / precut tap hole No Taphole

	Bowl type	Bowl thickness (mm)	Bowl dimensions, WxDxH (mm)	Bowl depth (mm)	Radius corner right bowl (mm)	Overflow LH bowl	Strainer position	Strainer dimension
RH Bowl	Half bowl	0.7	165 x 300 x 130	130	80		Centre of bowl	3.5"
LH Bowl	Traditional	0.7	340 x 400 x 180	180	80	Yes, traditional	Side bowl	3.5"

Technical Features

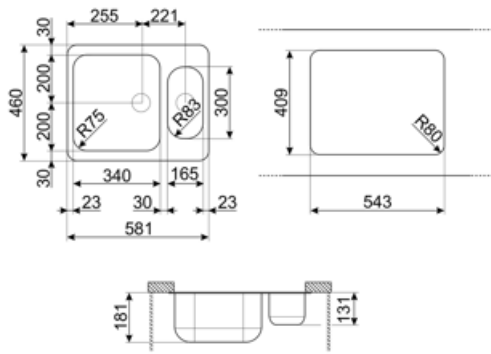


Frame thickness 1 mm
Dimensions of the product WxDxH (mm) 180x581x460 mm
Cutout dimension undermount (mm) 409*543 mm
Base unit size 60 cm
Tap hole diameter 35 mm
Dividing wall width 30 mm
No. of clips 6
Type of clips Undermount clip

Accessories Included

Accessories for
installation

Strainer, Siphon with
dishwasher outlet
connection, Fixing clips



Compatible Accessories



3713

Siphon double bowls sinks (dishwasher connection included)



DB34

Cestello in filo inox per abbinamento alle vasche di dimensione 340*400 mm



KITFD050

Waste disposal 0,5 HP Motor: 1/2 horsepower Fits all sinks with 3 1/2" waste outlet



KITFD075

Waste disposal 0,75 HP Motor: 3/4 horsepower Fits all sinks with 3 1/2" waste outlet



KITFD100


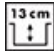
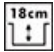

Waste disposal 1 HP Motor: 1 horsepower Fits all sinks with 3 1/2" waste outlet



RND2V

Rondò waste kit 2 bowls with 1 standard overflow

Symbols glossary

- | | | | |
|--|---|---|---|
|  | Cupboard width required for sink installation |  | Sink depth - depending on the model, the depth can be from 13 to 24,5 |
|  | Sink depth - depending on the model, the depth can be from 13 to 24,5 |  | Under table top installation: The sink is fixed under tabletop, which extends the work surface and the depth of the sink. |