

# UM40

Sink material	Stainless steel
Sink type	Single-pressed bowl
No. of bowls	1
EAN code	8017709140199



## Aesthetics



<b>Aesthetics</b>	Universal	<b>Building in type</b>	Undermount
<b>Series</b>	Alba	<b>Logo</b>	Embossed
<b>Colour</b>	Stainless steel	<b>Alternative colours available</b>	Stainless steel PVD Black, Stainless steel PVD Copper, Stainless steel PVD Brass
<b>Finishing</b>	Brushed		

	Bowl type	Bowl dimensions, WxDxH (mm)	Bowl depth (mm)	Radius corner bowl	Overflow	Strainer position	Strainer dimension
Bowl	Minimum radius	400 x 340 x 180	180	75	Yes, traditional	Wall position	3.5"

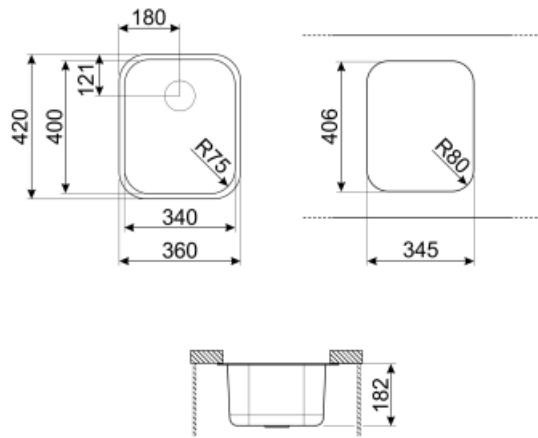
## Technical Features



<b>Dimensions of the product WxDxH (mm)</b>	180x420x360 mm	<b>Tap hole diameter</b>	35 mm
<b>Cutout dimension undermount (mm)</b>	345.3*405.5 mm	<b>No. of clips</b>	4
<b>Base unit size</b>	45 cm	<b>Type of clips</b>	Undermount clip

## Accessories Included

<b>Accessories for installation</b>	Strainer, Fixing clips
-------------------------------------	------------------------



---

## Not included accessories

---



### RND1V

Rondò waste kit 1 bowl with standard overflow



### KITFD050

Waste disposal 0,5 HP Motor: 1/2 horsepower Fits all sinks with 3 1/2" waste outlet



### DB34

Cestello in filo inox per abbinamento alle vasche di dimensione 340\*400 mm



### KITFD100

Waste disposal 1 HP Motor: 1 horsepower Fits all sinks with 3 1/2" waste outlet



### 3712

Siphon single bowl sinks (dishwasher connection included)



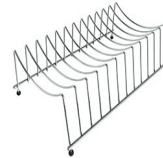
### 3713

Siphon double bowls sinks (dishwasher connection included)



### KITFD075

Waste disposal 0,75 HP Motor: 3/4 horsepower Fits all sinks with 3 1/2" waste outlet



### COLPTX

Dranier accessory

## Symbols glossary

---



Cupboard width required for sink installation



Sink depth - depending on the model, the depth can be from 13 to 24,5



Under table top installation: The sink is fixed under tabletop, which extends the work surface and the depth of the sink.