

UM40

Sink material Stainless steel
Type Monoblock bowl
No. of bowls 1
EAN code 8017709140199



Aesthetics



Aesthetic Series	Universale	Building in type	Undermount
Colour	Alba	Logo	Embossed
Finishing	Stainless steel	Alternative colours available	Stainless steel PVD Black, Stainless steel PVD Copper, Stainless steel PVD Brass
	Brushed		

	Bowl type	Bowl dimensions, WxDxH (mm)	Bowl depth (mm)	Radius corner bowl	Overflow	Strainer position	Strainer dimension
Bowl	Minimum radius	400 x 340 x 180	180	75	Yes, traditional	Wall position	3.5"

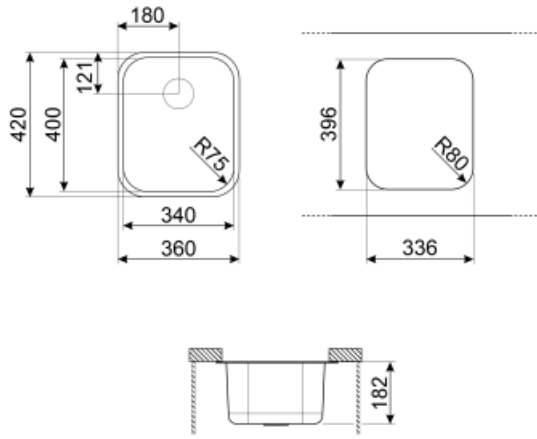
Technical Features



Dimensions of the product (mm)	180x420x360 mm	Tap hole diameter	35 mm
Cutout dimension undermount (mm)	345.3*405.5 mm	No. of clips	4
Base unit size	45 cm	Type of clips	Undermount clip

Accessories Included

Accessories for installation Strainer, Fixing clips



Not included accessories



RND1V

Rondò waste kit 1 bowl with standard overflow



KITFD050

Waste disposal 0,5 HP, Motor: 1/2 horsepower, Fits all sinks with 3 1/2" waste outlet



DB34

St/steel drain basket to fit STD radius 340 x 400 bowl, 180 mm depth



KITFD100

Waste disposal 1 HP, Motor: 1/2 horsepower, Fits all sinks with 3 1/2" waste outlet



3712

Siphon single bowl sinks (dishwasher connection included)



3713

Siphon double bowls sinks (dishwasher connection included)



KITFD075

Waste disposal 0,75 HP, Motor: 1/2 horsepower, Fits all sinks with 3 1/2" waste outlet

Symbols glossary (TT)



Cupboard width required for sink installation



Sink depth - depending on the model, the depth can be from 13 to 24,5



Under table top installation: The sink is fixed under tabletop, which extends the work surface and the depth of the sink.