

UM4040

Sink material	Stainless steel
Type	Side by side undermount bowls
No. of bowls	2
EAN code	8017709176617



Aesthetics



Aesthetic	Universale	Series	Alba
Colour	Stainless steel	Building in type	Undermount
Finishing	Brushed	Logo	Embossed

	Bowl type RH	Bowl thickness (mm)	Bowl dimensions, WxDxH (mm)	Bowl depth (mm)	Radius corner right bowl (mm)	Overflow	Strainer position	Strainer dimension
RH Bowl	Traditional	0.6	340 x 400 x 180	180	80	Yes, traditional	Wall position	3.5"
LH Bowl	Traditional	0.6	340 x 400 x 180	180	80	Yes, traditional	Wall position	3.5"

Technical Features

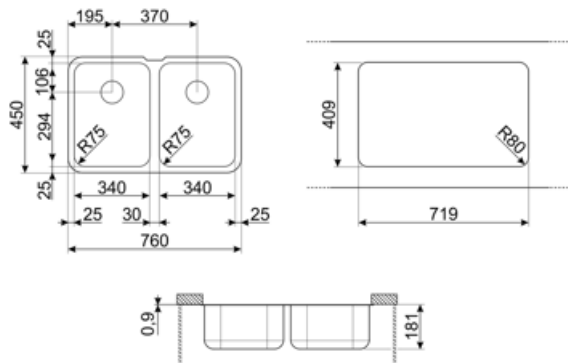


Frame thickness	1 mm	Tap hole diameter	35 mm
Dimensions of the product (mm)	180x760x450 mm	Dividing wall width	30 mm
Cutout dimension undermount (mm)	720x410 mm	No. of clips	12
Base unit size	80 cm	Type of clips	Undermount clip

Accessories Included

Accessories for
installation

Strainer, Savespace siphon
with dishwasher outlet
connection, Fixing clips



Compatible Accessories



3713

Siphon double bowls sinks (dishwasher connection included)



DB34

St/steel drain basket to fit STD radius 340 x 400 bowl, 180 mm depth



KITFD050

Waste disposal 0,5 HP, Motor: 1/2 horsepower, Fits all sinks with 3 1/2" waste outlet



KITFD075

Waste disposal 0,75 HP, Motor: 1/2 horsepower, Fits all sinks with 3 1/2" waste outlet



KITFD100

Waste disposal 1 HP, Motor: 1/2 horsepower, Fits all sinks with 3 1/2" waste outlet



RND1V

Rondò waste kit 1 bowl with standard overflow

Symbols glossary



Cupboard width required for sink installation



Sink depth - depending on the model, the depth can be from 13 to 24,5



Under table top installation: The sink is fixed under tabletop, which extends the work surface and the depth of the sink.