

UM4040

Materiaal	Inox
Type spoelbak	Geflankeerde spoelbakken
Aantal spoelbakken	2
EAN-code	8017709176617



Design



Design	Universeel	Series	Alba
Kleur	Inox	Type inbouw	Onderbouw
Afwerking	Geborsteld inox	Logo	In reliëf

	Type spoelbak	Staaldikte spoelbak (mm)	Afmetingen spoelbak, BxHxD (mm)	Diepte spoelbak (mm)	Hoekradius spoelbak	Overloop spoelbak	Positie crepine	Afmeting crepine
Spoelbak rechts	Traditioneel	0.6	340 x 400 x 180	180	80	Ja, traditioneel	Wandkap	8,89 cm
Spoelbak links	Traditioneel	0.6	340 x 400 x 180	180	80	Ja, traditioneel	Wandkap	8,89 cm

Technische specificaties

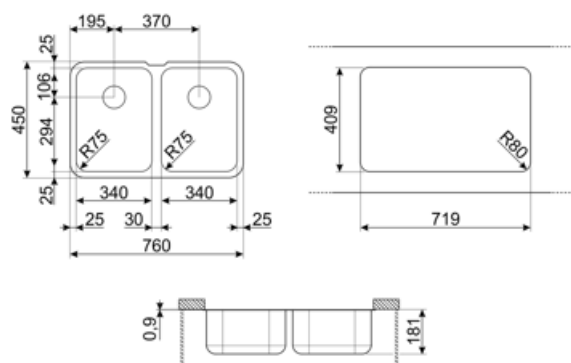


Frame dikte	1 mm	Diameter kraangat	35 mm
Afmetingen product (mm)	180x760x450 mm	Inox tussenstuk spoelbak	30 mm
Cutout dimension undermount (mm)	720x410 mm	Aantal haken	12
Afmeting inbouwmeubel	80 cm	Type haken	Onderbouw haken

Meegeleverde accessoires

Accessoires voor
installatie inbegrepen

Crepine, Sifon met
vatwasseraansluiting,
Montagehaken



Compatible Accessories



3713

Siphon double bowls sinks (dishwasher connection included)



DB34

St/steel drain basket to fit STD radius 340 x 400 bowl, 180 mm depth



KITFD050

Waste disposal 0,5 HP, Motor: 1/2 horsepower, Fits all sinks with 3 1/2" waste outlet



KITFD075

Waste disposal 0,75 HP, Motor: 1/2 horsepower, Fits all sinks with 3 1/2" waste outlet



KITFD100

Waste disposal 1 HP, Motor: 1/2 horsepower, Fits all sinks with 3 1/2" waste outlet



RND1V

Rondò waste kit 1 bowl with standard overflow

Symbols glossary



Cupboard width required for sink installation.



Sink depth - depending on the model, the depth can be from 13 to 24,5.



Under table top installation: The sink is fixed under tabletop, which extends the work surface and the depth of the sink.