

UM45

Sink material	Stainless steel
Type	Monoblock bowl
No. of bowls	1
EAN code	8017709064570



Aesthetics



Aesthetic Series	Universale	Building in type	Undermount
Colour	Alba	Logo	Embossed
Finishing	Stainless steel	Alternative colours available	Stainless steel PVD Black, Stainless steel PVD Copper, Stainless steel PVD Brass
	Brushed		

	Bowl type	Bowl dimensions, WxDxH (mm)	Bowl depth (mm)	Radius corner bowl	Overflow	Strainer position	Strainer dimension
Bowl	Traditional	450 x 400 x 180	180	72	Yes, traditional	Side bowl	3.5"

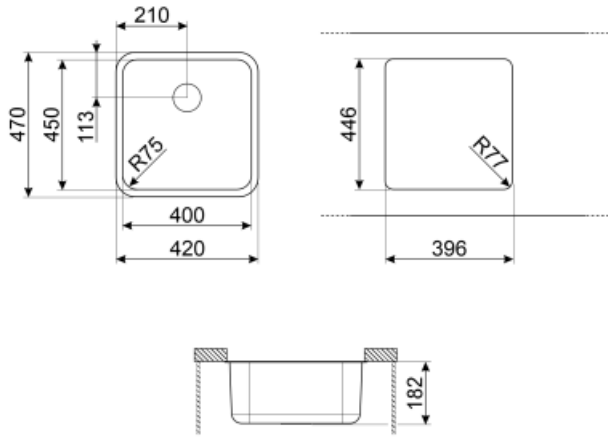
Technical Features



Dimensions of the product (mm)	180x470x420 mm	Tap hole diameter	35 mm
Cutout dimension undermount (mm)	396*446 mm	No. of clips	4
Base unit size	60 cm	Type of clips	Undermount clip

Accessories Included

Accessories for installation	Strainer, Fixing clips
-------------------------------------	------------------------



Not included accessories



RND1V

Rondò waste kit 1 bowl with standard overflow



KITFD050

Waste disposal 0,5 HP, Motor: 1/2 horsepower, Fits all sinks with 3 1/2" waste outlet



DB34

St/steel drain basket to fit STD radius 340 x 400 bowl, 180 mm depth



KITFD100

Waste disposal 1 HP, Motor: 1/2 horsepower, Fits all sinks with 3 1/2" waste outlet



3712

Siphon single bowl sinks (dishwasher connection included)



3713


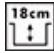

Siphon double bowls sinks (dishwasher connection included)



KITFD075

Waste disposal 0,75 HP, Motor: 1/2 horsepower, Fits all sinks with 3 1/2" waste outlet

Symbols glossary (TT)

- | | | | |
|--|---|---|---|
|  | Cupboard width required for sink installation |  | Sink depth - depending on the model, the depth can be from 13 to 24,5 |
|  | Under table top installation: The sink is fixed under tabletop, which extends the work surface and the depth of the sink. | | |