

UM45

Sink material	Stainless steel
Type	Monoblock bowl
No. of bowls	1
EAN code	8017709064570



Aesthetics



Aesthetic	Universale	Building in type	Undermount
Colour	Stainless steel	Logo	Embossed
Finishing	Brushed	Alternative colours available	Stainless steel PVD Black, Stainless steel PVD Copper, Stainless steel PVD Brass
Series	Alba		

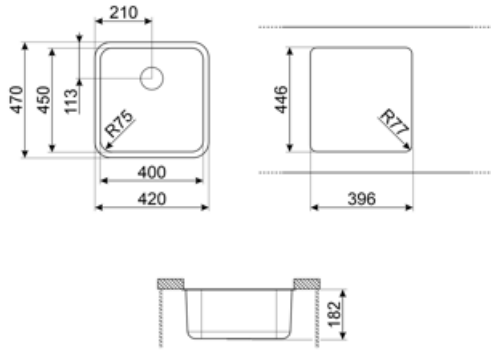
	Bowl type	Bowl dimensions, WxDxH (mm)	Bowl depth (mm)	Radius corner bowl	Overflow	Strainer position	Strainer dimension
Bowl	Traditional	450 x 400 x 180	180	72	Yes, traditional	Side bowl	3.5"

Technical Features



Dimensions of the product (mm)	180x470x420 mm	No. of clips	4
Cutout dimension undermount (mm)	396*446 mm	Type of clips	Undermount clip
Base unit size	60 cm	Possibility to install waste disposal	Yes
Tap hole diameter	35 mm		

Accessories included



Compatible Accessories



3712

Siphon single bowl sinks (dishwasher connection included)



DB34

St/steel drain basket to fit STD radius
340 x 400 bowl, 180 mm depth



KITFD075

Waste disposal 0,75 HP, Motor: 1/2
horsepower, Fits all sinks with 3 1/2"
waste outlet



RND1V

Rondò waste kit 1 bowl with standard
overflow



3713

Siphon double bowls sinks
(dishwasher connection included)



KITFD050

Waste disposal 0,5 HP, Motor: 1/2
horsepower, Fits all sinks with 3 1/2"
waste outlet



KITFD100

Waste disposal 1 HP, Motor: 1/2
horsepower, Fits all sinks with 3 1/2"
waste outlet

Symbols glossary



Cupboard width required for sink installation.



Sink depth - depending on the model, the depth can be from 13 to 24,5.



Under table top installation: The sink is fixed under tabletop, which extends the work surface and the depth of the sink.

Benefit (TT)

One bowl

A single bowl for greater adaptability, capacity and space optimisation

Waste Kit

Possibility to install the waste disposal KITFD100 to easily dispose of organic waste, saving time and effort

The waste disposal is the ideal solution for a clean and sustainable kitchen: simple to use and compact, it disposes of food waste directly from the sink, reducing kitchen bad smells and improving hygiene.