

UM4540

Sink material Stainless steel
 Type Side by side undermount bowls
 No. of bowls 2
 EAN code 8017709161262



Aesthetics



Aesthetic Universale
 Series Alba
 Colour Stainless steel
 Finishing Brushed
 Building in type Undermount
 Logo Embossed

	Bowl type RH	Bowl thickness (mm)	Bowl dimensions, WxDxH (mm)	Bowl depth (mm)	Radius corner right bowl (mm)	Overflow	Strainer position	Strainer dimension
RH Bowl	Traditional	0.6	340 x 400 x 180	180	80	Yes, traditional	Wall position	3.5"
LH Bowl	Traditional	0.6	450 x 400 x 180	180	80	Yes, traditional	Wall position	3.5"

Technical Features

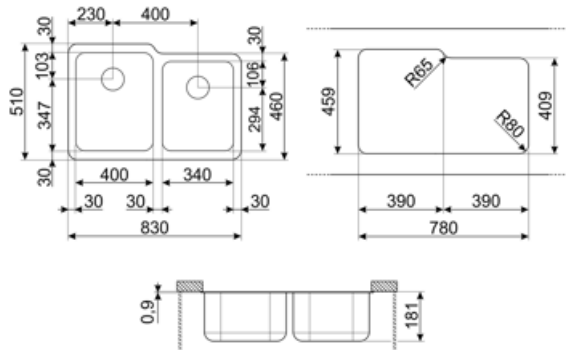


Frame thickness 1 mm
 Dimensions of the product (mm) 180x830x510 mm
 Cutout dimension undermount (mm) Vedi Dima mm
 Base unit size 90 cm
 Dividing wall width 30 mm
 Gasket type Sealing paste
 No. of clips 12
 Type of clips Undermount clip

Accessories Included

Accessories for
installation

Strainer, Savespace siphon
with dishwasher outlet
connection, Fixing clips



Not included accessories



RND1V

Rondò waste kit 1 bowl with standard overflow



KITFD050

Waste disposal 0,5 HP, Motor: 1/2 horsepower, Fits all sinks with 3 1/2" waste outlet



DB34

St/steel drain basket to fit STD radius 340 x 400 bowl, 180 mm depth



KITFD100

Waste disposal 1 HP, Motor: 1/2 horsepower, Fits all sinks with 3 1/2" waste outlet



3713


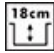

Siphon double bowls sinks (dishwasher connection included)



KITFD075

Waste disposal 0,75 HP, Motor: 1/2 horsepower, Fits all sinks with 3 1/2" waste outlet

Symbols glossary (TT)

- | | | | |
|--|---|---|---|
|  | Cupboard width required for sink installation |  | Sink depth - depending on the model, the depth can be from 13 to 24,5 |
|  | Under table top installation: The sink is fixed under tabletop, which extends the work surface and the depth of the sink. | | |

Benefit (TT)

Two bowls

Two bowls for greater versatility and dual functionality