

UM4545

Sink material	Stainless steel
Sink type	Side by side bowls
No. of bowls	2
EAN code	8017709157357



Aesthetics



Aesthetics	Universal	Building in type	Undermount
Colour	Stainless steel	Logo	Embossed
Finishing	Brushed	Tap hole / precut tap hole	No Taphole
Series	Alba		

	Bowl type	Bowl thickness (mm)	Bowl dimensions, WxDxH (mm)	Bowl depth (mm)	Radius corner right bowl (mm)	Overflow	Strainer position	Strainer dimension
RH Bowl	Traditional	0.6	450 x 400 x 180	180	80	Yes, traditional	Wall position	3.5"
LH Bowl	Traditional	0.6	450 x 400 x 180	180	80	Yes, traditional	Wall position	3.5"

Technical Features

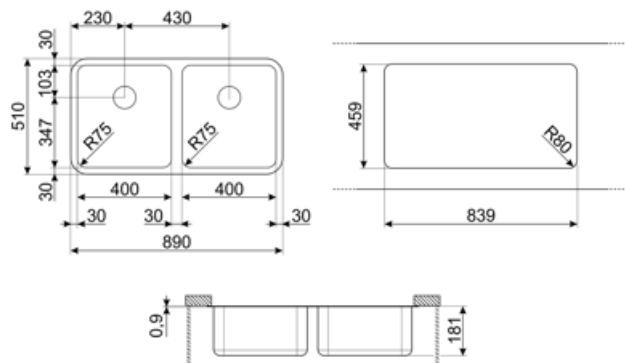


Frame thickness	1 mm	Tap hole diameter	35 mm
Dimensions of the product WxDxH (mm)	180x890x510 mm	Dividing wall width	30 mm
Cutout dimension undermount (mm)	459*839 mm	Gasket type	Sealing paste
Cutout radius	5 mm	No. of clips	8
Base unit size	90 cm	Type of clips	Undermount clip

Accessories Included

Accessories for installation

Strainer, Siphon with dishwasher outlet connection, Fixing clips



Compatible Accessories



3713

Siphon double bowls sinks (dishwasher connection included)



DB34

Cestello in filo inox per abbinamento alle vasche di dimensione 340*400 mm



KITFD050

Waste disposal 0,5 HP Motor: 1/2 horsepower Fits all sinks with 3 1/2" waste outlet



KITFD075

Waste disposal 0,75 HP Motor: 3/4 horsepower Fits all sinks with 3 1/2" waste outlet



KITFD100


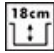

Waste disposal 1 HP Motor: 1 horsepower Fits all sinks with 3 1/2" waste outlet



RND1V

Rondò waste kit 1 bowl with standard overflow

Symbols glossary

- | | | | |
|--|---|---|---|
|  | Cupboard width required for sink installation |  | Sink depth - depending on the model, the depth can be from 13 to 24,5 |
|  | Under table top installation: The sink is fixed under tabletop, which extends the work surface and the depth of the sink. | | |