

UM4545

Sink material Stainless steel
 Type Side by side undermount bowls
 No. of bowls 2
 EAN code 8017709157357



Aesthetics



Serie Alba Building in type Undermount
 Aesthetic Universale Logo Embossed
 Color Stainless steel Tap hole / precut tap No Taphole
 Finishing Brushed hole

	Bowl type RH	Bowl thickness (mm)	Bowl dimensions, WxDxH (mm)	Bowl depth (mm)	Radius corner right bowl (mm)	Overflow	Strainer position	Strainer dimension
RH Bowl	Traditional	0.6	450 x 400 x 180	180	80	Yes, traditional	Wall position	3.5"
LH Bowl	Traditional	0.6	450 x 400 x 180	180	80	Yes, traditional	Wall position	3.5"

Technical Features

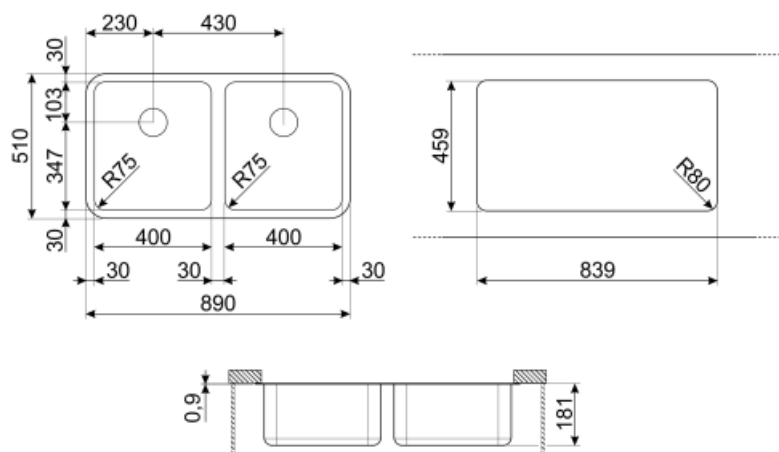


Frame thickness 1 mm Tap hole diameter 35 mm
 Dimensions of the product (mm) 180x890x510 mm Dividing wall width 30 mm
 Cutout dimension undermount (mm) 459*839 mm Gasket type Sealing paste
 Undermount cutout radius 5 mm No. of clips 8
 Base unit size 90 cm Type of clips Undermount clip

Accessories Included

Accessories for installation

Strainer, Savespace siphon with dishwasher outlet connection, Fixing clips



Not included accessories



RND1V

Rondò waste kit 1 bowl with standard overflow



KITFD050

Waste disposal 0,5 HP, Motor: 1/2 horsepower, Fits all sinks with 3 1/2" waste outlet



DB34

St/steel drain basket to fit STD radius 340 x 400 bowl, 180 mm depth



KITFD100

Waste disposal 1 HP, Motor: 1/2 horsepower, Fits all sinks with 3 1/2" waste outlet



3713

Siphon double bowls sinks (dishwasher connection included)



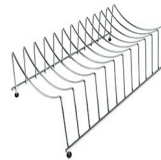
KITFD075

Waste disposal 0,75 HP, Motor: 1/2 horsepower, Fits all sinks with 3 1/2" waste outlet



KITFD050UK


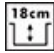

Waste disposal 0,5 HP, Motor: 1/2 horsepower, Fits all sinks with 3 1/2" waste outlet, UK



COLPTX

Draining rack base 300 x 185 x 82 mm

Symbols glossary (TT)

- | | | | |
|--|---|---|---|
|  | Cupboard width required for sink installation |  | Sink depth - depending on the model, the depth can be from 13 to 24,5 |
|  | Under table top installation: The sink is fixed under tabletop, which extends the work surface and the depth of the sink. | | |