

# UM50

**Sink material** Stainless steel  
**Type** Monoblock bowl  
**No. of bowls** 1  
**EAN code** 8017709175184



## Aesthetics



**Aesthetic** Universale  
**Colour** Stainless steel  
**Finishing** Brushed  
**Series** Alba  
**Building in type** Undermount  
**Logo** Embossed

	Bowl type	Bowl dimensions, WxDxH (mm)	Bowl depth (mm)	Radius corner bowl	Overflow	Strainer position	Strainer dimension
Bowl	Traditional	500 x 400 x 200	200	58	Yes, traditional	Wall position	3.5"

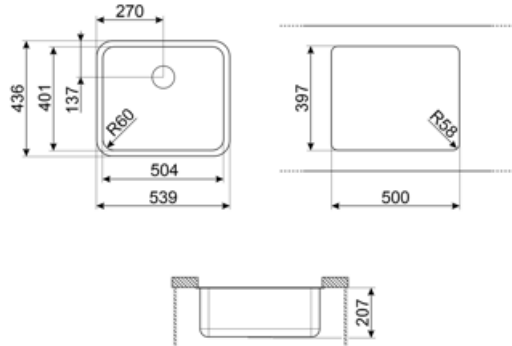
## Technical Features



**Dimensions of the product (mm)** 200x538x436 mm  
**Cutout dimension undermount (mm)** 396\*500 mm  
**Base unit size** 60 cm  
**Tap hole diameter** 35 mm  
**No. of clips** 4  
**Type of clips** Undermount clip  
**Possibility to install waste disposal** Yes

## Accessories included

**Accessories for installation** Strainer, Fixing clips



---

## Compatible Accessories

---



**3712**

Siphon single bowl sinks (dishwasher connection included)



**DB34**

St/steel drain basket to fit STD radius  
340 x 400 bowl, 180 mm depth



**KITFD075**

Waste disposal 0,75 HP, Motor: 1/2  
horsepower, Fits all sinks with 3 1/2"  
waste outlet



**RND1V**

Rondò waste kit 1 bowl with standard  
overflow



**3713**

Siphon double bowls sinks  
(dishwasher connection included)



**KITFD050**

Waste disposal 0,5 HP, Motor: 1/2  
horsepower, Fits all sinks with 3 1/2"  
waste outlet




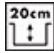

**KITFD100**

Waste disposal 1 HP, Motor: 1/2  
horsepower, Fits all sinks with 3 1/2"  
waste outlet

---

## Symbols glossary

---

- |  |   |   |  |
|--|---|---|--|
|  | Cupboard width required for sink installation.  |  | Sink depth - depending on the model, the depth can be from 13 to 24,5. |
|  | Under table top installation: The sink is fixed under tabletop, which extends the work surface and the depth of the sink. |   |  |

---

## Benefit (TT)

---

### **One bowl**

A single bowl for greater adaptability, capacity and space optimisation

### **Waste Kit**

Possibility to install the waste disposal KITFD100 to easily dispose of organic waste, saving time and effort

The waste disposal is the ideal solution for a clean and sustainable kitchen: simple to use and compact, it disposes of food waste directly from the sink, reducing kitchen bad smells and improving hygiene.