

VFU34SFR

| | |
|---------------|---------------------|
| Sink material | Stainless steel |
| Sink type | Single-pressed bowl |
| No. of bowls | 1 |
| EAN code | 8017709304638 |



Aesthetics



| | | | |
|-------------------|-----------------|-----------------------------------|--------------------------------|
| Aesthetics | Universal | Building in type | Flush fitted, Flat, Undermount |
| Series | Mira | Logo | Embossed |
| Colour | Stainless steel | Tap hole / precut tap hole | No Taphole |
| Finishing | Brushed | | |

| | Bowl type | Bowl dimensions, WxDxH (mm) | Bowl depth (mm) | Radius corner bowl | Overflow | Strainer position | Strainer dimension |
|------|----------------|-----------------------------|-----------------|--------------------|-------------------|-------------------|--------------------|
| Bowl | Minimum radius | 340 x 400 x 200 | 200 | 15 | Yes, flush fitted | Wall position | 3.5" |

Technical Features

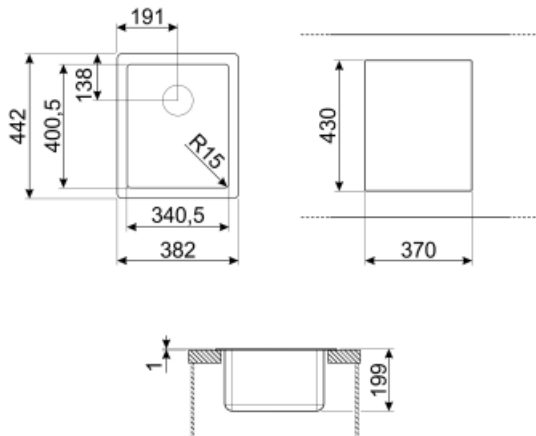


| | | | |
|---|----------------|--------------------------------|----------------------------|
| Dimensions of the product WxDxH (mm) | 200x382x442 mm | Height from kitchen top | 1 mm |
| Cutout dimension (mm) | 370*430 mm | Base unit size | 45 cm |
| Cutout dimension undermount (mm) | 344*404 mm | No. of clips | 4 |
| Cutout radius | 17 mm | Type of clips | Standard + undermount clip |

Accessories Included

Accessories for
installation

Strainer, Siphon with
dishwasher outlet
connection, Fixing clips,
Silicone



Not included accessories



RND1V

Rondò waste kit 1 bowl with standard overflow



KITFD050

Waste disposal 0,5 HP Motor: 1/2 horsepower Fits all sinks with 3 1/2" waste outlet



DB34

Cestello in filo inox per abbinamento alle vasche di dimensione 340*400 mm



COL36

St/steel colander for MINIMUM radius bowls, measures 370 x 410 x 30 mm



KITFD100

Waste disposal 1 HP Motor: 1 horsepower Fits all sinks with 3 1/2" waste outlet



3712

Siphon single bowl sinks (dishwasher connection included)



3713

Siphon double bowls sinks (dishwasher connection included)



COL19H

St/Steel colander to fit MINIMUM radius mm bowl, measures 200 x 410 x 100 mm



COL19

St/Steel colander to fit MINIMUM radius mm bowl, measures 200 x 410 x 26 mm



KITDS

Soap dispenser Round knob



CB25MN


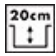



Single HPE chopping board to fit minimum radius bowls, black matt, measures 250 x 410 H 12 mm, dishwasher safe



KITFD075

Waste disposal 0,75 HP Motor: 3/4 horsepower Fits all sinks with 3 1/2" waste outlet

Symbols glossary

- | | | | |
|--|---|---|---|
|  | Cupboard width required for sink installation |  | Sink depth - depending on the model, the depth can be from 13 to 24,5 |
|  | Flat: Installation of product with flat edge. |  | Flush-fitted installation: Models of sinks/hobs which are integrated flush with the tabletop of a kitchen unit. |
|  | Under table top installation: The sink is fixed under tabletop, which extends the work surface and the depth of the sink. | | |