

## VFU34SFR

Materiaal	Inox
Type spoelbak	Enkel geperste spoelbak
Aantal spoelbakken	1
EAN-code	8017709304638



## Design



Design	Universeel	Type inbouw	Vlak opbouw, Plat , Onderbouw
Kleur	Inox	Logo	In reliëf
Afwerking	Geborsteld inox	Geperforeerde opening voor kraan	Geen geperforeerde opening voor kraan
Series	Mira		

	Type spoelbak	Afmetingen spoelbak, BxHxD (mm)	Diepte spoelbak (mm)	Hoekradius spoelbak	Overloop spoelbak	Positie crepine spoelbak	Afmeting crepine
Spoelbak	Minimum radius	340 x 400 x 200	200	15	Ja, verzonken	Wandkap	8,89 cm

## Technische specificaties

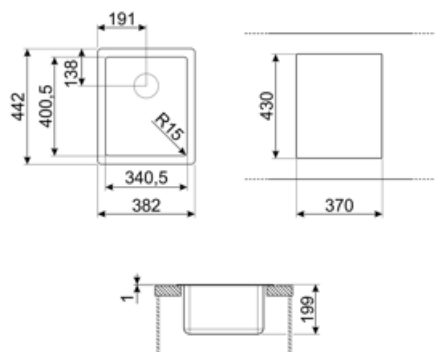


Afmetingen product (mm)	200x382x442 mm	Hoogte vanaf werkblad	1 mm
Afmetingen nis (mm)	370*430 mm	Afmeting inbouwmeubel	45 cm
Cutout dimension undermount (mm)	344*404 mm	Aantal haken	4
Uitsnij radius	17 mm	Type haken	Standard + undermount clip

## Meegeleverde accessoires

Accessoires voor  
installatie inbegrepen

Crepine, Sifon met  
vaatwasseraansluiting,  
Montagehaken, Silicone



## Compatible Accessories



**3712**

Siphon single bowl sinks (dishwasher connection included)



**3713**

Siphon double bowls sinks (dishwasher connection included)



**CB25MN**

Single HPE chopping board to fit minimum radius bowls, black matt, measures 250 x 410 H 12 mm, dishwasher safe



**COL19**

St/Steel colander to fit MINIMUM radius mm bowl, measures 200 x 410 x 26 mm



**COL19H**

St/Steel colander to fit MINIMUM radius mm bowl, measures 200 x 410 x 100 mm



**COL36**

St/steel colander for MINIMUM radius bowls, measures 370 x 410 x 30 mm



**DB34**

St/steel drain basket to fit STD radius 340 x 400 bowl, 180 mm depth



**KITDS**

Soap dispenser chrome finishing with round knob



**KITFD050**

Waste disposal 0,5 HP, Motor: 1/2 horsepower, Fits all sinks with 3 1/2" waste outlet



**KITFD075**

Waste disposal 0,75 HP, Motor: 1/2 horsepower, Fits all sinks with 3 1/2" waste outlet



**KITFD100**

Waste disposal 1 HP, Motor: 1/2 horsepower, Fits all sinks with 3 1/2" waste outlet




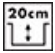



**RND1V**

Rondò waste kit 1 bowl with standard overflow

---

## Symbols glossary

---

- |  |   |   |   |
|--|---|---|---|
|  | Cupboard width required for sink installation.  |  | Sink depth - depending on the model, the depth can be from 13 to 24,5.  |
|  | Flat: Installation of product with flat edge.   |  | Flush-fitted installation: Models of sinks/hobs which are integrated flush with the tabletop of a kitchen unit. |
|  | Under table top installation: The sink is fixed under tabletop, which extends the work surface and the depth of the sink. |   |   |

---

## Benefit (TT)

---

### **One bowl**

A single bowl for greater adaptability, capacity and space optimisation