

## VFU40SFR

<b>Materiaal</b>	Inox
<b>Type spoelbak</b>	Enkel geperste spoelbak
<b>Aantal spoelbakken</b>	1
<b>EAN-code</b>	8017709304645



## Design



<b>Design</b>	Universeel	<b>Type inbouw</b>	Vlak opbouw, Plat , Onderbouw
<b>Kleur</b>	Inox	<b>Logo</b>	In reliëf
<b>Afwerking</b>	Geborsteld inox	<b>Geperforeerde opening voor kraan</b>	Geen geperforeerde opening voor kraan
<b>Series</b>	Mira		

	Type spoelbak	Afmetingen spoelbak, BxHxD (mm)	Diepte spoelbak (mm)	Hoekradius spoelbak	Overloop spoelbak	Positie crepine spoelbak	Afmeting crepine
Spoelbak	Minimum radius	400 x 400 x 200	200	15	Ja, verzonken	Wandkap	8,89 cm

## Technische specificaties

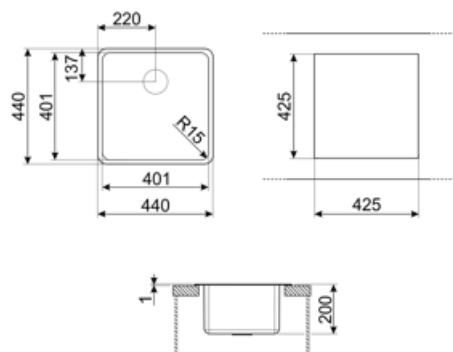


<b>Afmetingen product (mm)</b>	200x440x440 mm	<b>Hoogte vanaf werkblad</b>	1 mm
<b>Afmetingen nis (mm)</b>	425*425 mm	<b>Afmeting inbouwmeubel</b>	60 cm
<b>Cutout dimension undermount (mm)</b>	404*404 mm	<b>Aantal haken</b>	8
<b>Uitsnij radius</b>	17 mm	<b>Type haken</b>	Standard + undermount clip

## Meegeleverde accessoires

Accessoires voor  
installatie inbegrepen

Crepine, Sifon met  
vaatwasseraansluiting,  
Montagehaken, Silicone



## Compatible Accessories



**3712**

Siphon single bowl sinks (dishwasher connection included)



**CB25MN**

Single HPE chopping board to fit minimum radius bowls, black matt, measures 250 x 410 H 12 mm, dishwasher safe



**COL19H**

St/Steel colander to fit MINIMUM radius mm bowl, measures 200 x 410 x 100 mm



**DB34**

St/steel drain basket to fit STD radius 340 x 400 bowl, 180 mm depth



**KITDSQ**

Soap dispenser chrome finishing with square knob 40x40 mm



**KITFD075**

Waste disposal 0,75 HP, Motor: 1/2 horsepower, Fits all sinks with 3 1/2" waste outlet



**3713**

Siphon double bowls sinks (dishwasher connection included)



**COL19**

St/Steel colander to fit MINIMUM radius mm bowl, measures 200 x 410 x 26 mm



**COL36**

St/steel colander for MINIMUM radius bowls, measures 370 x 410 x 30 mm



**KITDS**

Soap dispenser chrome finishing with round knob



**KITFD050**

Waste disposal 0,5 HP, Motor: 1/2 horsepower, Fits all sinks with 3 1/2" waste outlet



**KITFD100**

Waste disposal 1 HP, Motor: 1/2 horsepower, Fits all sinks with 3 1/2" waste outlet




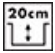



**RND1V**

Rondò waste kit 1 bowl with standard overflow

---

## Symbols glossary

---

- |  |   |   |   |
|--|---|---|---|
|  | Breedte van het inbouwmeubel voor installatie spoelbak  |  | Sink depth - depending on the model, the depth can be from 13 to 24,5.  |
|  | Flat: Installation of product with flat edge.   |  | Flush-fitted installation: Models of sinks/hobs which are integrated flush with the tabletop of a kitchen unit. |
|  | Under table top installation: The sink is fixed under tabletop, which extends the work surface and the depth of the sink. |   |   |

---

## Benefit (TT)

---

### **One bowl**

A single bowl for greater adaptability, capacity and space optimisation