

VFU43SFR

| | |
|---------------|-----------------|
| Sink material | Stainless steel |
| Type | Monoblock bowl |
| No. of bowls | 1 |
| EAN code | 8017709304584 |



Aesthetics



| | | | |
|-------------------------|-----------------|-----------------------------------|----------------------|
| Aesthetic Series | Universale | Building in type | Standard, Undermount |
| Colour | Omni | Logo | Not present |
| Finishing | Stainless steel | Tap hole / precut tap hole | No Taphole |
| | Brushed | | |

| | Bowl type | Bowl dimensions, WxDxH (mm) | Bowl depth (mm) | Overflow | Strainer position | Strainer dimension |
|------|-----------|-----------------------------|-----------------|------------------|-------------------|--------------------|
| Bowl | Round | diametro 375 | 200 | Yes, traditional | Wall position | 3.5" |

Technical Features

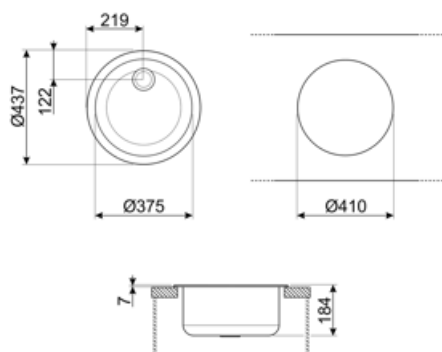


| | | | |
|---|----------------|--------------------------|----------------------------|
| Dimensions of the product (mm) | 200x430x430 mm | Tap hole diameter | 35 mm |
| Cutout dimension topmount (mm) | 410 mm | Gasket type | Sealing paste |
| Cutout dimension undermount (mm) | 374 mm | No. of clips | 3 |
| Height from kitchen top | 6 mm | Type of clips | Standard + undermount clip |
| Base unit size | 45 cm | | |

Accessories Included

Accessories for
installation

Strainer, Fixing clips,
Gasket



Compatible Accessories



3712

Siphon single bowl sinks (dishwasher connection included)



3713

Siphon double bowls sinks (dishwasher connection included)



KITDS

Soap dispenser chrome finishing with round knob



KITFD050

Waste disposal 0,5 HP, Motor: 1/2 horsepower, Fits all sinks with 3 1/2" waste outlet



KITFD075

Waste disposal 0,75 HP, Motor: 1/2 horsepower, Fits all sinks with 3 1/2" waste outlet



KITFD100


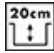


Waste disposal 1 HP, Motor: 1/2 horsepower, Fits all sinks with 3 1/2" waste outlet



RND1V

Rondò waste kit 1 bowl with standard overflow

Symbols glossary

- | | | | |
|--|--|---|---|
|  | Cupboard width required for sink installation |  | Sink depth - depending on the model, the depth can be from 13 to 24,5 |
|  | Standard installation: Traditional installation in tabletop, suitable for any kitchen sets |  | Under table top installation: The sink is fixed under tabletop, which extends the work surface and the depth of the sink. |

Benefit (TT)

One bowl

A single bowl for greater adaptability, capacity and space optimisation