

VFU43SFR

Materiaal	Inox
Type spoelbak	Enkel geperste spoelbak
Aantal spoelbakken	1
EAN-code	8017709304584



Design



Design	Universeel	Type inbouw	Standaard , Onderbouw
Kleur	Inox	Logo	Niet aanwezig
Afwerking	Geborsteld inox	Geperforeerde opening voor kraan	Geen geperforeerde opening voor kraan
Series	Omni		

	Type spoelbak	Afmetingen spoelbak, BxHxD (mm)	Diepte spoelbak (mm)	Overloop spoelbak	Positie crepine spoelbak	Afmeting crepine
Spoelbak	Rond	diametro 375	200	Ja, traditioneel	Wandkap	8,89 cm

Technische specificaties

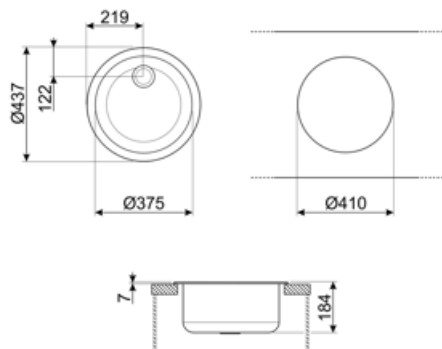


Afmetingen product (mm)	200x430x430 mm	Diameter kraangat	35 mm
Afmetingen nis (mm)	410 mm	Type garnituur	Afdichtpasta
Cutout dimension undermount (mm)	374 mm	Aantal haken	3
Hoogte vanaf werkblad	6 mm	Type haken	Standard + undermount clip
Afmeting inbouwmeubel	45 cm		

Meegeleverde accessoires

Accessoires voor
installatie inbegrepen

Crepine, Montagehaken,
Joints



Compatible Accessories



3712

Siphon single bowl sinks (dishwasher connection included)



KITDS

Soap dispenser chrome finishing with round knob



KITFD075

Waste disposal 0,75 HP, Motor: 1/2 horsepower, Fits all sinks with 3 1/2" waste outlet



RND1V

Rondò waste kit 1 bowl with standard overflow



3713

Siphon double bowls sinks (dishwasher connection included)



KITFD050

Waste disposal 0,5 HP, Motor: 1/2 horsepower, Fits all sinks with 3 1/2" waste outlet



KITFD100

Waste disposal 1 HP, Motor: 1/2 horsepower, Fits all sinks with 3 1/2" waste outlet

Symbols glossary



Cupboard width required for sink installation.



Sink depth - depending on the model, the depth can be from 13 to 24,5.



Standard installation: Traditional installation in tabletop, suitable for any kitchen sets.



Under table top installation: The sink is fixed under tabletop, which extends the work surface and the depth of the sink.

Benefit (TT)

One bowl

A single bowl for greater adaptability, capacity and space optimisation