

# VFU45SFR

**Sink material** Stainless steel  
**Type** Monoblock bowl  
**No. of bowls** 1  
**EAN code** 8017709304652



## Aesthetics



<b>Aesthetic Series</b>	Universale	<b>Building in type</b>	Flush fitted, Flat, Undermount
<b>Colour</b>	Stainless steel	<b>Logo</b>	Embossed
<b>Finishing</b>	Brushed	<b>Tap hole / precut tap hole</b>	No Taphole

	Bowl type	Bowl dimensions, WxDxH (mm)	Bowl depth (mm)	Radius corner bowl	Overflow	Strainer position	Strainer dimension
Bowl	Minimum radius	450 x 400 x 200	200	15	Yes, flush fitted	Wall position	3.5"

## Technical Features

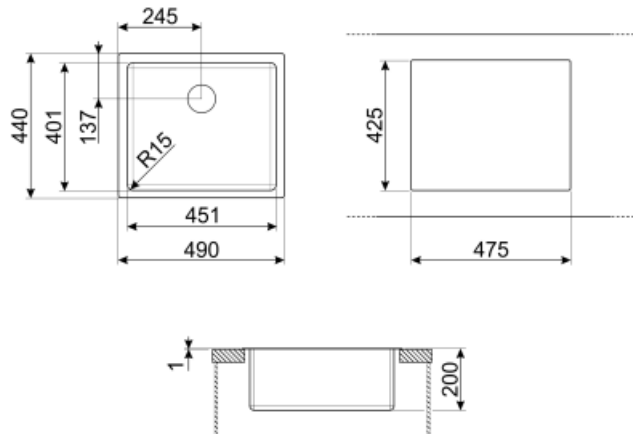


<b>Dimensions of the product (mm)</b>	200x490x440 mm	<b>Height from kitchen top</b>	1 mm
<b>Cutout dimension topmount (mm)</b>	475*425 mm	<b>Base unit size</b>	60 cm
<b>Cutout dimension undermount (mm)</b>	454*404 mm	<b>No. of clips</b>	4
<b>Undermount cutout radius</b>	17 mm	<b>Type of clips</b>	Standard + undermount clip

## Accessories Included

Accessories for  
installation

Strainer, Savespace siphon  
with dishwasher outlet  
connection, Fixing clips,  
Silicone



## Not included accessories



### RND1V

Rondò waste kit 1 bowl with standard overflow



### KITFD050

Waste disposal 0,5 HP, Motor: 1/2 horsepower, Fits all sinks with 3 1/2" waste outlet



### DB34

St/steel drain basket to fit STD radius 340 x 400 bowl, 180 mm depth



### COL36

St/steel colander for MINIMUM radius bowls, measures 370 x 410 x 30 mm



### KITFD100

Waste disposal 1 HP, Motor: 1/2 horsepower, Fits all sinks with 3 1/2" waste outlet



### 3712

Siphon single bowl sinks (dishwasher connection included)



### 3713

Siphon double bowls sinks (dishwasher connection included)



### COL19H

St/Steel colander to fit MINIMUM radius mm bowl, measures 200 x 410 x 100 mm



### COL19

St/Steel colander to fit MINIMUM radius mm bowl, measures 200 x 410 x 26 mm



### KITDS

Soap dispenser chrome finishing with round knob



### KITDSQ

Soap dispenser chrome finishing with square knob 40x40 mm



### CB25MN

Single HPE chopping board to fit minimum radius bowls, black matt, measures 250 x 410 H 12 mm, dishwasher safe




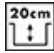



### KITFD075

Waste disposal 0,75 HP, Motor: 1/2 horsepower, Fits all sinks with 3 1/2" waste outlet

---

## Symbols glossary (TT)

---

- |  |   |   |   |
|--|---|---|---|
|  | Cupboard width required for sink installation   |  | Sink depth - depending on the model, the depth can be from 13 to 24,5   |
|  | Flat: Installation of product with flat edge.   |  | Flush-fitted installation: Models of sinks/hobs which are integrated flush with the tabletop of a kitchen unit. |
|  | Under table top installation: The sink is fixed under tabletop, which extends the work surface and the depth of the sink. |   |   |