

VQR40RS

Sink material Stainless steel
Type Welded bowl
No. of bowls 1
EAN code 8017709208950



Aesthetics



Aesthetic Universale
Colour Stainless steel
Finishing Brushed
Series Mira
Building in type Ultra-low profile
Logo Embossed
Tap hole / precut tap hole 2 Tapholes

	Bowl type	Bowl dimensions, WxDxH (mm)	Bowl depth (mm)	Radius corner bowl	Overflow	Strainer position	Strainer dimension
Bowl	Minimum radius	340 x 400 x 200	200	15	Yes, flush fitted	Wall position	3.5"

Technical Features

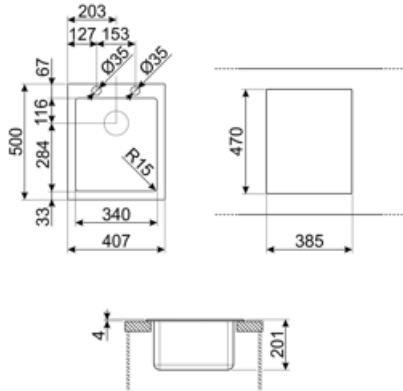


Dimensions of the product (mm) 196x407x500 mm
Cutout dimension topmount (mm) 385 x 470 mm
Height from kitchen top 6 mm
Base unit size 45 cm
Tap hole 2
Tap hole diameter 35 mm
Popup command Yes, single
Popup command type Squared
No. of clips 10
Type of clips Standard
Possibility to install waste disposal Yes

Accessories included

Accessories for
installation

Strainer, Savespace siphon
with dishwasher outlet
connection, Fixing clips,
Gasket, Automatic pop - up
with roudn rotary control



Compatible Accessories



3712

Siphon single bowl sinks (dishwasher connection included)



3713

Siphon double bowls sinks (dishwasher connection included)



CB25MN

Single HPE chopping board to fit minimum radius bowls, black matt, measures 250 x 410 H 12 mm, dishwasher safe



CB28QU

Single HPL chopping board for minimum radius, oak, measures 280 x 418 H 12 mm



COL19

St/Steel colander to fit MINIMUM radius mm bowl, measures 200 x 410 x 26 mm



COL19H

St/Steel colander to fit MINIMUM radius mm bowl, measures 200 x 410 x 100 mm



COL36

St/steel colander for MINIMUM radius bowls, measures 370 x 410 x 30 mm



DB34

St/steel drain basket to fit STD radius 340 x 400 bowl, 180 mm depth



KITFD050

Waste disposal 0,5 HP, Motor: 1/2 horsepower, Fits all sinks with 3 1/2" waste outlet



KITFD075

Waste disposal 0,75 HP, Motor: 1/2 horsepower, Fits all sinks with 3 1/2" waste outlet



KITFD100

Waste disposal 1 HP, Motor: 1/2 horsepower, Fits all sinks with 3 1/2" waste outlet



KITSLTRND1

Bowl automatic pop up Rondò waste kit with rectangular overflow and round knob



STABMIX

Tap stabiliser

Symbols glossary



Cupboard width required for sink installation.



Sink depth - depending on the model, the depth can be from 13 to 24,5.



Ultra-low profile: Installation of product with flat edge - height of 1 mm.

Benefit (TT)

One bowl

A single bowl for greater adaptability, capacity and space optimisation

Double tap hole

The sink is easily reversible, making it possible to create any type of kitchen composition

Pop-up command

The pop-up command allows the sink drain to be opened and closed remotely with a simple gesture and without the need to touch the plug directly, increasing convenience and hygiene in the kitchen

Tap hole

Possibility of having the tap hole for direct installation of the tap on the sink, for a larger and neater surface area

Waste Kit

Possibility to install the waste disposal KITFD100 to easily dispose of organic waste, saving time and effort

The waste disposal is the ideal solution for a clean and sustainable kitchen: simple to use and compact, it disposes of food waste directly from the sink, reducing kitchen bad smells and improving hygiene.