

VS45-P3

Sink material Stainless steel
 Type Welded bowl
 No. of bowls 1
 EAN code 8017709084172



Aesthetics



Aesthetic	Universale	Building in type	Standard
Colour	Stainless steel	Logo	Embossed
Finishing	Brushed	Alternative colours available	Stainless steel PVD Black, Stainless steel PVD Copper, Stainless steel PVD Brass
Series	Alba	Tap hole / precut tap hole	2 Tapholes

	Bowl type	Bowl dimensions, WxDxH (mm)	Bowl depth (mm)	Radius corner bowl	Overflow	Strainer position	Strainer dimension
Bowl	Traditional	450 x 400 x 210	210	80	Yes, traditional	Side bowl	3.5"

Technical Features

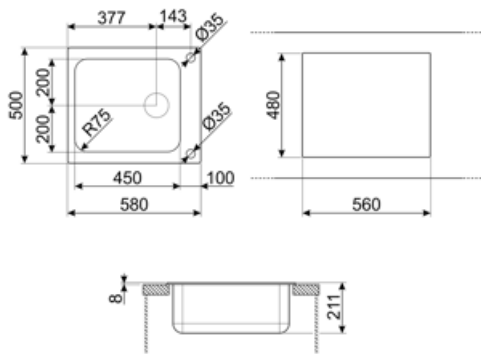


Dimensions of the product (mm)	210x500x580 mm	Popup command	Yes, single
Cutout dimension topmount (mm)	560 X 480 mm	Popup command type	Round
Height from kitchen top	8 mm	Gasket type	Sealing paste
Base unit size	60 cm	No. of clips	8
Tap hole	2	Type of clips	Standard
Tap hole diameter	35 mm		

Accessories included

Accessories for installation

Strainer, Savespace siphon with dishwasher outlet connection, Fixing clips, Gasket, Automatic pop - up with round rotary control



Compatible Accessories



3712

Siphon single bowl sinks (dishwasher connection included)



DB34

St/steel drain basket to fit STD radius 340 x 400 bowl, 180 mm depth



KITFD050

Waste disposal 0,5 HP, Motor: 1/2 horsepower, Fits all sinks with 3 1/2" waste outlet



KITFD075

Waste disposal 0,75 HP, Motor: 1/2 horsepower, Fits all sinks with 3 1/2" waste outlet



KITFD100

Waste disposal 1 HP, Motor: 1/2 horsepower, Fits all sinks with 3 1/2" waste outlet



KITSTR

1 Bowl automatic pop up waste kit with rectangular overflow and round knob



STABMIX

Tap stabiliser

Symbols glossary



Cupboard width required for sink installation.



Sink depth - depending on the model, the depth can be from 13 to 24,5.



Standard installation: Traditional installation in tabletop, suitable for any kitchen sets.

Benefit (TT)

One bowl

A single bowl for greater adaptability, capacity and space optimisation

Double tap hole

The sink is easily reversible, making it possible to create any type of kitchen composition

Pop-up command

The pop-up command allows the sink drain to be opened and closed remotely with a simple gesture and without the need to touch the plug directly, increasing convenience and hygiene in the kitchen

Tap hole

Possibility of having the tap hole for direct installation of the tap on the sink, for a larger and neater surface area